

STENNER PUMPS®

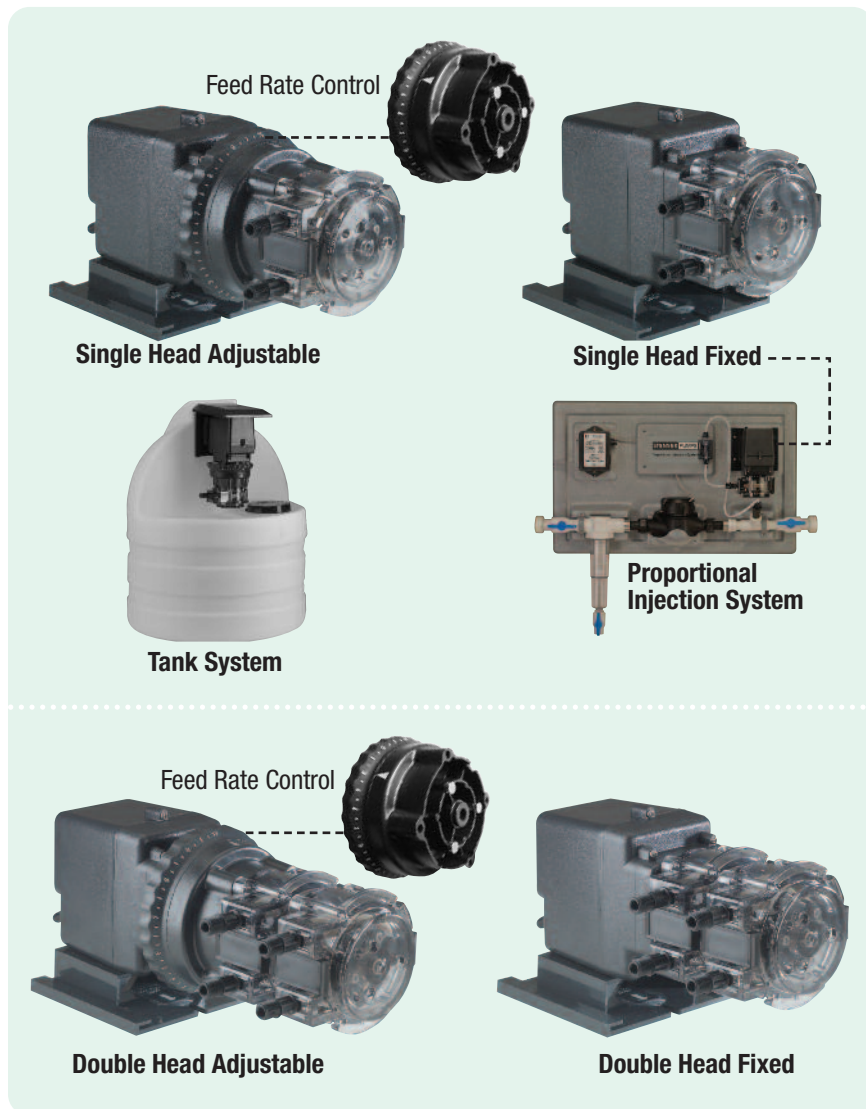
STENNER CATALOG

STENNER PUMP ADVANTAGES

- ▶ Self-priming
- ▶ Can inject off-gassing solutions
- ▶ Simple tube replacement
- ▶ 3 point roller assists anti-siphoning
- ▶ Output reproducibility
- ▶ Output volume not affected by back pressure
- ▶ Tube lubrication not required
- ▶ No vapor lock or loss of prime
- ▶ Foot valve not required to prime

CONTENTS

PUMPS	2-50
TANK SYSTEMS	53
METER SYSTEMS	31, 34, 40, 54-55
ACCESSORIES	
Tanks	52
PCMs.....	56-57
Water Meters.....	58-60
Flow Switches.....	61
PARTS	
Pump Tubes	62
Pump Heads & Parts	63-65
Injection Fittings & Check Valves	66
Miscellaneous Parts	67
Water Meter Parts	67
Motors & Parts	68-70
Feed Rate Control & Parts	71
CHEMICAL COMPATIBILITY GUIDE	72-73
INDEX	74
POLICIES	Inside back cover



Quick Facts

CLASSIC 45

- Single head, adjustable or fixed output
- Up to 22.0 gpd @ 100 psi max.
Up to 50.0 gpd @ 25 psi max.
- 26 rpm
- Model 45 pump prefix begins with 45

CLASSIC 85

- Single head, adjustable or fixed output
- Up to 40.0 gpd @ 100 psi max.
Up to 85.0 gpd @ 25 psi max.
- 44 rpm
- Model 85 pump prefix begins with 85

CLASSIC 100

- Double head, adjustable or fixed output
- Up to 20.0 gpd @ 100 psi max.
Up to 100.0 gpd @ 25 psi max.
- 26 rpm
- Model 100 pump prefix begins with 100

CLASSIC 170

- Double head, adjustable or fixed output
- Up to 34.0 gpd @ 100 psi max.
Up to 170.0 gpd @ 25 psi max.
- 44 rpm
- Model 170 pump prefix begins with 170

Features

- Advantages of Stenner peristaltic pumps on Contents page
- Tube replacement without tools with patented QuickPro® pump head
- Adjustable models:
 - External adjustable dial ring on feed rate control
 - 20:1 turndown, 2.5% increments
- Single head models:
 - Available as Tank System; ships pre-assembled for quick installation
 - Fixed output pump can be utilized for proportional injection, refer to pages 54-55
- Components are interchangeable between models

Versatile and Time-Tested

For over 65 years, the versatile peristaltic Classic Series remains a popular choice with installers. The pump is easy to service or convert to another model within the Classic Series. Injection can be directly into the water line. Pump can be activated by a pressure switch or controller.

CLASSIC SERIES

Weights and Dimensions

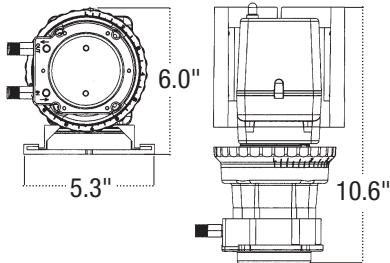
Single Head Adjustable Models

Shipping Weight 9 lbs (3.9 kg)

Box Dimensions

13 x 8 x 10 in. (33 x 20 x 24 cm)

Product Dimensions



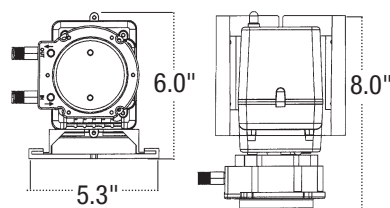
Single Head Fixed Models

Shipping Weight 8 lbs (3.4 kg)

Box Dimensions

13 x 8 x 10 in. (33 x 20 x 24 cm)

Product Dimensions



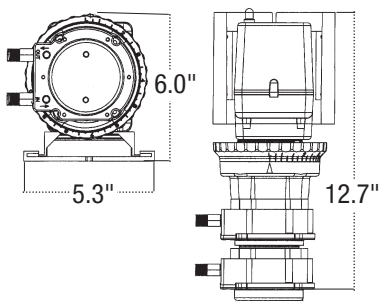
Double Head Adjustable Models

Shipping Weight 10 lbs (4.5 kg)

Box Dimensions

18 x 8 x 10 in. (46 x 21 x 25 cm)

Product Dimensions



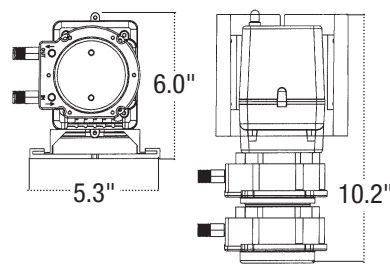
Double Head Fixed Models

Shipping Weight 10 lbs (4.1 kg)

Box Dimensions

18 x 8 x 10 in. (46 x 21 x 25 cm)

Product Dimensions



Accessories Shipped with Each Pump

3 Connecting Nuts 1/4" & 3 Ferrules 1/4" or 6 mm *Europe*
or 3 Connecting Nuts & 2 Adapters 3/8"

1 Injection Fitting 25 psi (1.7 bar) max.
or 1 Duckbill Check Valve 100 psi (6.9 bar) max.

1 Weighted Suction Line Strainer 1/4", 3/8" or 6 mm *Europe*
20' Suction/Discharge Tubing 1/4" or 3/8", white or UV black
or 20' Suction/Discharge Tubing, white, 6 mm *Europe*

1 Additional Pump Tube

2 Additional Latches

1 Mounting Bracket

1 Manual

NOTE: Double head pumps include another set of accessories listed above.

Specifications

Flow Rate Output Control

Adjustable model: External dial ring

Reproducibility $\pm 2\%$

Maximum Working Pressure

25 psi (1.7 bar); 100 psi (6.9 bar)

Maximum Operating Temperature 125°F (52°C)

Maximum Suction Lift

25 ft (7.6 m) vertical lift, based on water

Motor Type 1/30 HP, shaded pole, class B

Shaft rpm (average maximum) 26 or 44

Duty Cycle Continuous

Maximum Viscosity 1500 centipoise

Motor Voltage (Amp Draw)

120V 60Hz 1PH (1.7); 220V 60Hz 1PH (0.9);
230V 50Hz 1PH (0.9); 250V 50Hz 1PH (0.9)

Power Cord Type

120V 60Hz; 220V 60Hz SJTOW;
230V 50Hz; 250V 50Hz H05VV-F

Power Cord Plug End

120V 60Hz NEMA 5-15P; 220V 60Hz NEMA 6-15P;
230V 50Hz CEE7/7; 250V 50Hz CEE7/7

Power Cord Length 6 ft (1.8 m)

Classification Indoor and suitable for outdoor when installed with a Stenner Rain Roof part # MP90000

Materials of Construction

All Housings Polycarbonate

Pump Tube Santoprene® (FDA approved) or Versilon®

Check Valve Duckbill

Santoprene® (FDA approved) or Pellethane®

Pump Head Rollers Polyethylene

Roller Bushings Oil impregnated bronze

Suction/Discharge Tubing, Ferrules

Polyethylene (FDA approved)

Tube Fittings, Check Valve Fittings

PVC or Polypropylene (both NSF listed)

Connecting Nuts

PVC or Polypropylene (both NSF listed)

3/8" Adapter PVC or Polypropylene (both NSF listed)

Suction Line Strainer and Cap

PVC or Polypropylene (both NSF listed); ceramic weight

All Fasteners Stainless steel

Pump Head Latches Polypropylene

NOTE: Refer to Chemical Guide for material compatibility.

Agency Listings

- IAPMO Listed, conforms to standard NSF/ANSI 61 & 372 (excludes any model with a Versilon® tube).
- INTERTEK/ETL Sanitation Listed, Adjustable models conform to standard NSF/ANSI 50 (excludes any model with a Versilon® tube).
- INTERTEK/ETL Sanitation Listed, Fixed models conform to standard NSF/ANSI 50 only when used with standard NSF/ANSI 50 listed controllers.



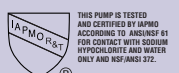
CONFORMS TO
ANSI/NSF STD. 50
Equipment for swimming pools,
spas, hot tubs and other
recreational water facilities.



CONFORMS TO
ANSI/NSF STD. 50
Equipment for swimming pools,
spas, hot tubs and other
recreational water facilities.



METERING PUMP
LR79585
C SP US



Listings vary by model.

USA and Canada 800.683.2378, International 904.641.1666 **3**

CLASSIC SERIES Single Head Adjustable Models

Flow Rate Outputs Single Head Adjustable 25 psi (1.7 bar) max. Approximate 20:1 turndown, 2.5% increments

Model	Pump Prefix	Pump Tube	Gallons per Day	Gallons per Hour	Ounces per Minute	Liters per Day	Liters per Hour	Milliliters per Minute	Liters per Day	Liters per Hour	Milliliters per Minute
45M1	45MJL1	1	0.2 to 3.0	0.01 to 0.13	0.02 to 0.27	0.8 to 11.4	0.03 to 0.48	0.56 to 7.92	0.6 to 9.1	0.02 to 0.38	0.31 to 6.32
45M2	45MJL2	2	0.5 to 10.0	0.02 to 0.42	0.04 to 0.89	1.9 to 37.9	0.08 to 1.58	1.32 to 26.32	1.5 to 30.3	0.06 to 1.26	1.04 to 21.04
45M3	45MJL3	3	1.1 to 22.0	0.05 to 0.92	0.10 to 1.96	4.2 to 83.3	0.18 to 3.47	2.92 to 57.85	3.3 to 66.6	0.14 to 2.78	2.29 to 46.25
45M4	45MJL4	4	1.7 to 35.0	0.07 to 1.46	0.15 to 3.11	6.4 to 132.5	0.27 to 5.52	4.44 to 92.01	5.1 to 106.0	0.21 to 4.42	3.54 to 73.61
45M5	45MJL5	5	2.5 to 50.0	0.10 to 2.08	0.22 to 4.44	9.5 to 189.3	0.40 to 7.89	6.60 to 131.43	7.6 to 151.4	0.32 to 6.31	5.28 to 105.14
85M1	85MJL1	1	0.3 to 5.0	0.01 to 0.21	0.03 to 0.44	1.1 to 18.9	0.05 to 0.79	0.76 to 13.13	0.9 to 15.1	0.04 to 0.63	0.52 to 10.49
85M2	85MJL2	2	0.8 to 17.0	0.03 to 0.71	0.07 to 1.51	3.0 to 64.4	0.13 to 2.68	2.08 to 44.65	2.4 to 51.5	0.10 to 2.15	1.67 to 35.76
85M3	85MJL3	3	2.0 to 40.0	0.08 to 1.67	0.18 to 3.55	7.6 to 151.4	0.32 to 6.31	5.27 to 105.14	6.1 to 121.1	0.25 to 5.05	4.24 to 84.10
85M4	85MJL4	4	3.0 to 60.0	0.13 to 2.5	0.27 to 5.33	11.4 to 227.1	0.48 to 9.46	7.92 to 157.71	9.1 to 181.7	0.38 to 7.57	6.32 to 126.18
85M5	85MJL5	5	4.3 to 85.0	0.18 to 3.54	0.38 to 7.55	16.3 to 321.8	0.68 to 13.4	11.32 to 223.40	13.0 to 257.4	0.54 to 10.73	9.03 to 178.75
						Approximate output @ 60Hz			Approximate output @ 50Hz		

Flow Rate Outputs Single Head Adjustable 100 psi (6.9 bar) max. Approximate 20:1 turndown, 2.5% increments

Model	Pump Prefix	Pump Tube	Gallons per Day	Gallons per Hour	Ounces per Minute	Liters per Day	Liters per Hour	Milliliters per Minute	Liters per Day	Liters per Hour	Milliliters per Minute
45MHP2	45MJH1	1	0.2 to 3.0	0.01 to 0.13	0.02 to 0.27	0.8 to 11.4	0.03 to 0.48	0.56 to 7.92	0.6 to 9.1	0.02 to 0.38	0.31 to 6.32
45MHP10	45MJH2	2	0.5 to 10.0	0.02 to 0.42	0.04 to 0.89	1.9 to 37.9	0.08 to 1.58	1.32 to 26.32	1.5 to 30.3	0.06 to 1.26	1.04 to 21.04
45MHP22	45MJH7	7	1.1 to 22.0	0.05 to 0.92	0.10 to 1.96	4.2 to 83.3	0.18 to 3.47	2.92 to 57.85	3.3 to 66.6	0.14 to 2.78	2.29 to 46.25
85MHP5	85MJH1	1	0.3 to 5.0	0.01 to 0.21	0.03 to 0.44	1.1 to 18.9	0.05 to 0.79	0.76 to 13.13	0.9 to 15.1	0.04 to 0.63	0.52 to 10.49
85MHP17	85MJH2	2	0.8 to 17.0	0.03 to 0.71	0.07 to 1.51	3.0 to 64.4	0.13 to 2.68	2.08 to 44.65	2.4 to 51.5	0.10 to 2.15	1.67 to 35.76
85MHP40	85MJH7	7	2.0 to 40.0	0.08 to 1.67	0.18 to 3.55	7.6 to 151.4	0.32 to 6.31	5.27 to 105.14	6.1 to 121.1	0.25 to 5.05	4.24 to 84.10
						Approximate output @ 60Hz			Approximate output @ 50Hz		

PUMP Build Item Number



VOLTAGE & HERTZ

- 120V 60Hz **A**
 - 220V 60Hz **B**
 - 230V 50Hz *International* **C**
 - 250V 50Hz *International* **D**
- Contact factory for additional voltage and plug options.

SUCTION/DISCHARGE TUBING

- 1/4" White **1**
 - 1/4" UV Black **2**
 - 3/8" White **3**
 - 3/8" UV Black **4**
 - 6 mm White *Europe* **5**
- O.D. does not affect output.

TUBE MATERIAL

- Santoprene® **S**
 - Versilon® (#7 not available) **T**
- Refer to Chemical Guide for material compatibility.

TANK SYSTEM Build Item Number



TANK

- 7.5-Gallon UV Gray **S7G**
- 7.5-Gallon White **S7N**
- 15-Gallon UV Gray **S1G**
- 15-Gallon White **S1N**
- 30-Gallon UV Gray **S3G**
- 30-Gallon White **S3N**

VOLTAGE & HERTZ

- 120V 60Hz **A**
 - 220V 60Hz **B**
 - 230V 50Hz *International* **C**
 - 250V 50Hz *International* **D**
- Contact factory for additional voltage and plug options.

SUCTION/DISCHARGE TUBING

- 1/4" White **1**
 - 1/4" UV Black **2**
 - 3/8" White **3**
 - 3/8" UV Black **4**
 - 6 mm White *Europe* **5**
- O.D. does not affect output.

TUBE MATERIAL

- Santoprene® **S**
 - Versilon® (#7 not available) **T**
- Refer to Chemical Guide for material compatibility.

NOTICE: The information within these charts is solely intended for use as a guide. The output data is an approximation based on pumping water under a controlled testing environment. Many variables can affect the output of the pump. Stenner Pump Company recommends that all metering pumps undergo field calibration by means of analytical testing to confirm their outputs. To reduce feed rate control wear, select the pump with a maximum flow rate output that most closely matches your application's maximum need.

CLASSIC SERIES Single Head Fixed Models

Flow Rate Outputs Single Head Fixed 25 psi (1.7 bar) max.

Model	Pump Prefix	Pump Tube	Gallons per Day	Gallons per Hour	Ounces per Minute	Liters per Day	Liters per Hour	Milliliters per Minute	Liters per Day	Liters per Hour	Milliliters per Minute
45MP1	45MFL1	1	3.0	0.13	0.27	11.4	0.48	7.92	9.1	0.38	6.32
45MP2	45MFL2	2	10.0	0.42	0.89	37.9	1.58	26.32	30.3	1.26	21.04
45MP3	45MFL3	3	22.0	0.92	1.96	83.3	3.47	57.85	66.6	2.78	46.25
45MP4	45MFL4	4	35.0	1.46	3.11	132.5	5.52	92.01	106.0	4.42	73.61
45MP5	45MFL5	5	50.0	2.08	4.44	189.3	7.89	131.43	151.4	6.31	105.14
85MP1	85MFL1	1	5.0	0.21	0.44	18.9	0.79	13.13	15.1	0.63	10.49
85MP2	85MFL2	2	17.0	0.71	1.51	64.4	2.68	44.65	51.5	2.15	35.76
85MP3	85MFL3	3	40.0	1.67	3.55	151.4	6.31	105.14	121.1	5.05	84.10
85MP4	85MFL4	4	60.0	2.50	5.33	227.1	9.46	157.71	181.7	7.57	126.18
85MP5	85MFL5	5	85.0	3.54	7.55	321.8	13.40	223.40	257.4	10.73	178.75
Approximate output @ 60Hz									Approximate output @ 50Hz		

Flow Rate Outputs Single Head Fixed 100 psi (6.9 bar) max.

Model	Pump Prefix	Pump Tube	Gallons per Day	Gallons per Hour	Ounces per Minute	Liters per Day	Liters per Hour	Milliliters per Minute	Liters per Day	Liters per Hour	Milliliters per Minute
45MPHP2	45MFH1	1	3.0	0.13	0.27	11.4	0.48	7.92	9.1	0.38	6.32
45MPHP10	45MFH2	2	10.0	0.42	0.89	37.9	1.58	26.32	30.3	1.26	21.04
45MPHP22	45MFH7	7	22.0	0.92	1.96	83.3	3.47	57.85	66.6	2.78	46.25
85MPHP5	85MFH1	1	5.0	0.21	0.44	18.9	0.79	13.13	15.1	0.63	10.49
85MPHP17	85MFH2	2	17.0	0.71	1.51	64.4	2.68	44.65	51.5	2.15	35.76
85MPHP40	85MFH7	7	40.0	1.67	3.55	151.4	6.31	105.14	121.1	5.05	84.10
Approximate output @ 60Hz									Approximate output @ 50Hz		

PUMP Build Item Number



VOLTAGE & HERTZ

- 120V 60Hz **A**
- 220V 60Hz **B**
- 230V 50Hz *International* **C**
- 250V 50Hz *International* **D**

Contact factory for additional voltage and plug options.

SUCTION/DISCHARGE TUBING

- 1/4" White **1**
- 1/4" UV Black **2**
- 3/8" White **3**
- 3/8" UV Black **4**
- 6 mm White *Europe* **5**

O.D. does not affect output.

TUBE MATERIAL

- Santoprene® **S**
 - Versilon® (#7 not available) **T**
- Refer to Chemical Guide for material compatibility.

TANK SYSTEM Build Item Number



TANK

- 7.5-Gallon UV Gray **S7G**
- 7.5-Gallon White **S7N**
- 15-Gallon UV Gray **S1G**
- 15-Gallon White **S1N**
- 30-Gallon UV Gray **S3G**
- 30-Gallon White **S3N**

VOLTAGE & HERTZ

- 120V 60Hz **A**
- 220V 60Hz **B**
- 230V 50Hz *International* **C**
- 250V 50Hz *International* **D**

Contact factory for additional voltage and plug options.

SUCTION/DISCHARGE TUBING

- 1/4" White **1**
- 1/4" UV Black **2**
- 3/8" White **3**
- 3/8" UV Black **4**
- 6 mm White *Europe* **5**

O.D. does not affect output.

TUBE MATERIAL

- Santoprene® **S**
 - Versilon® (#7 not available) **T**
- Refer to Chemical Guide for material compatibility.

NOTICE: The information within these charts is solely intended for use as a guide. The output data is an approximation based on pumping water under a controlled testing environment. Many variables can affect the output of the pump. Stenner Pump Company recommends that all metering pumps undergo field calibration by means of analytical testing to confirm their outputs.

CLASSIC SERIES Double Head Adjustable Models

Flow Rate Outputs Double Head Adjustable 25 psi (1.7 bar) max. Approximate 20:1 turndown, 2.5% increments

Model	Pump Prefix	Pump Tube	Gallons per Day	Gallons per Hour	Ounces per Minute	Liters per Day	Liters per Hour	Milliliters per Minute	Liters per Day	Liters per Hour	Milliliters per Minute
100DM1	100JL1	1	0.3 to 6.0	0.01 to 0.25	0.03 to 0.53	1.1 to 22.7	0.05 to 0.95	0.76 to 15.76	0.9 to 18.2	0.04 to 0.76	0.61 to 12.64
100DM2	100JL2	2	1.0 to 20.0	0.04 to 0.83	0.09 to 1.78	3.8 to 75.7	0.16 to 3.15	2.64 to 52.57	3.0 to 60.6	0.13 to 2.53	2.11 to 42.06
100DM3	100JL3	3	2.2 to 44.0	0.09 to 1.83	0.19 to 3.91	8.3 to 166.5	0.35 to 6.94	5.76 to 115.63	6.6 to 133.2	0.28 to 5.55	4.58 to 92.50
100DM4	100JL4	4	3.5 to 70.0	0.15 to 2.92	0.31 to 6.22	13.2 to 265.0	0.55 to 11.04	9.17 to 184.03	10.6 to 212.0	0.44 to 8.83	7.36 to 147.22
100DM5	100JL5	5	5.0 to 100.0	0.21 to 4.17	0.44 to 8.88	18.9 to 378.5	0.79 to 15.77	13.13 to 262.88	15.1 to 302.8	0.63 to 12.61	10.49 to 210.28
170DM1	170JL1	1	0.5 to 10.0	0.02 to 0.42	0.04 to 0.89	1.9 to 37.9	0.08 to 1.58	1.32 to 26.32	1.5 to 30.3	0.06 to 1.26	1.04 to 21.04
170DM2	170JL2	2	1.7 to 34.0	0.07 to 1.42	0.15 to 3.02	6.4 to 128.7	0.27 to 5.36	4.44 to 89.38	5.1 to 102.6	0.21 to 4.29	3.54 to 71.55
170DM3	170JL3	3	4.0 to 80.0	0.17 to 3.33	0.35 to 7.11	15.1 to 302.8	0.63 to 12.62	10.49 to 210.28	12.1 to 242.2	0.50 to 10.09	8.40 to 168.22
170DM4	170JL4	4	6.0 to 120.0	0.25 to 5.00	0.53 to 10.66	22.7 to 454.2	0.95 to 18.93	15.76 to 315.42	18.2 to 363.4	0.76 to 15.14	12.64 to 252.36
170DM5	170JL5	5	8.5 to 170.0	0.35 to 7.08	0.76 to 15.10	32.2 to 643.5	1.34 to 26.80	22.36 to 446.88	25.7 to 514.8	1.07 to 21.45	17.92 to 357.50
Approximate output @ 60Hz									Approximate output @ 50Hz		

Flow Rate Outputs Double Head Adjustable 100 psi (6.9 bar) max. Approximate 20:1 turndown, 2.5% increments

Model	Pump Prefix	Pump Tube	Gallons per Day	Gallons per Hour	Ounces per Minute	Liters per Day	Liters per Hour	Milliliters per Minute	Liters per Day	Liters per Hour	Milliliters per Minute
100DMHP5	100JH1	1	0.3 to 6.0	0.01 to 0.25	0.03 to 0.53	1.1 to 22.7	0.05 to 0.95	0.76 to 15.76	0.9 to 18.2	0.04 to 0.76	0.61 to 12.64
100DMHP20	100JH2	2	1.0 to 20.0	0.04 to 0.83	0.09 to 1.78	3.8 to 75.7	0.16 to 3.15	2.64 to 52.57	3.0 to 60.6	0.13 to 2.53	2.11 to 42.06
170DMHP9	170JH1	1	0.5 to 10.0	0.02 to 0.42	0.04 to 0.89	1.9 to 37.9	0.08 to 1.58	1.32 to 26.32	1.5 to 30.3	0.06 to 1.26	1.04 to 21.04
170DMHP34	170JH2	2	1.7 to 34.0	0.07 to 1.42	0.15 to 3.02	6.4 to 128.7	0.27 to 5.36	4.44 to 89.38	5.1 to 102.6	0.21 to 4.29	3.54 to 71.55
Approximate output @ 60Hz									Approximate output @ 50Hz		

PUMP Build Item Number

Pump Prefix								
-------------	--	--	--	--	--	--	--	--

VOLTAGE & HERTZ

- 120V 60Hz A
 - 220V 60Hz B
 - 230V 50Hz *International* C
 - 250V 50Hz *International* D
- Contact factory for additional voltage and plug options.

SUCTION/DISCHARGE TUBING

- 1/4" White 1
 - 1/4" UV Black 2
 - 3/8" White 3
 - 3/8" UV Black 4
 - 6 mm White *Europe* 5
- O.D. does not affect output.

TUBE MATERIAL

- Santoprene® S
 - Versilon® (#7 not available) T
- Refer to Chemical Guide for material compatibility.

NOTICE: The information within these charts is solely intended for use as a guide. The output data is an approximation based on pumping water under a controlled testing environment. Many variables can affect the output of the pump. Stenner Pump Company recommends that all metering pumps undergo field calibration by means of analytical testing to confirm their outputs. To reduce feed rate control wear, select the pump with a maximum flow rate output that most closely matches your application's maximum need.

CLASSIC SERIES Double Head Fixed Models

Flow Rate Outputs Double Head Fixed 25 psi (1.7 bar) max.

Model	Pump Prefix	Pump Tube	Gallons per Day	Gallons per Hour	Ounces per Minute	Liters per Day	Liters per Hour	Milliliters per Minute	Liters per Day	Liters per Hour	Milliliters per Minute
100DMP1	100FL1	1	6.0	0.25	0.53	22.7	0.95	15.76	18.2	0.76	12.64
100DMP2	100FL2	2	20.0	0.83	1.78	75.7	3.15	52.57	60.6	2.53	42.06
100DMP3	100FL3	3	44.0	1.83	3.91	166.5	6.94	115.63	133.2	5.55	92.50
100DMP4	100FL4	4	70.0	2.92	6.22	265.0	11.04	184.03	212.0	8.83	147.22
100DMP5	100FL5	5	100.0	4.17	8.88	378.5	15.77	262.88	302.8	12.61	210.28
170DMP1	170FL1	1	10.0	0.42	0.89	37.9	1.58	26.32	30.3	1.26	21.04
170DMP2	170FL2	2	34.0	1.42	3.02	128.7	5.36	89.38	102.6	4.29	71.55
170DMP3	170FL3	3	80.0	3.33	7.11	302.8	12.62	210.28	242.2	10.09	168.22
170DMP4	170FL4	4	120.0	5.00	10.66	454.2	18.93	315.42	363.4	15.14	252.36
170DMP5	170FL5	5	170.0	7.08	15.10	643.6	26.80	446.88	514.8	21.45	357.50
Approximate output @ 60Hz									Approximate output @ 50Hz		

Flow Rate Outputs Double Head Fixed 100 psi (6.9 bar) max.

Model	Pump Prefix	Pump Tube	Gallons per Day	Gallons per Hour	Ounces per Minute	Liters per Day	Liters per Hour	Milliliters per Minute	Liters per Day	Liters per Hour	Milliliters per Minute
100DMPHP5	100FH1	1	6.0	0.25	0.53	22.7	0.95	15.76	18.2	0.76	12.64
100DMPHP20	100FH2	2	20.0	0.83	1.78	75.7	3.15	52.57	60.6	2.53	42.06
170DMPHP9	170FH1	1	10.0	0.42	0.89	37.9	1.58	26.32	30.3	1.26	21.04
170DMPHP34	170FH2	2	34.0	1.42	3.02	128.7	5.36	89.38	102.6	4.29	71.55
Approximate output @ 60Hz									Approximate output @ 50Hz		

PUMP Build Item Number

Pump Prefix

VOLTAGE & HERTZ

- 120V 60Hz A
- 220V 60Hz B
- 230V 50Hz *International* C
- 250V 50Hz *International* D

Contact factory for additional voltage and plug options.

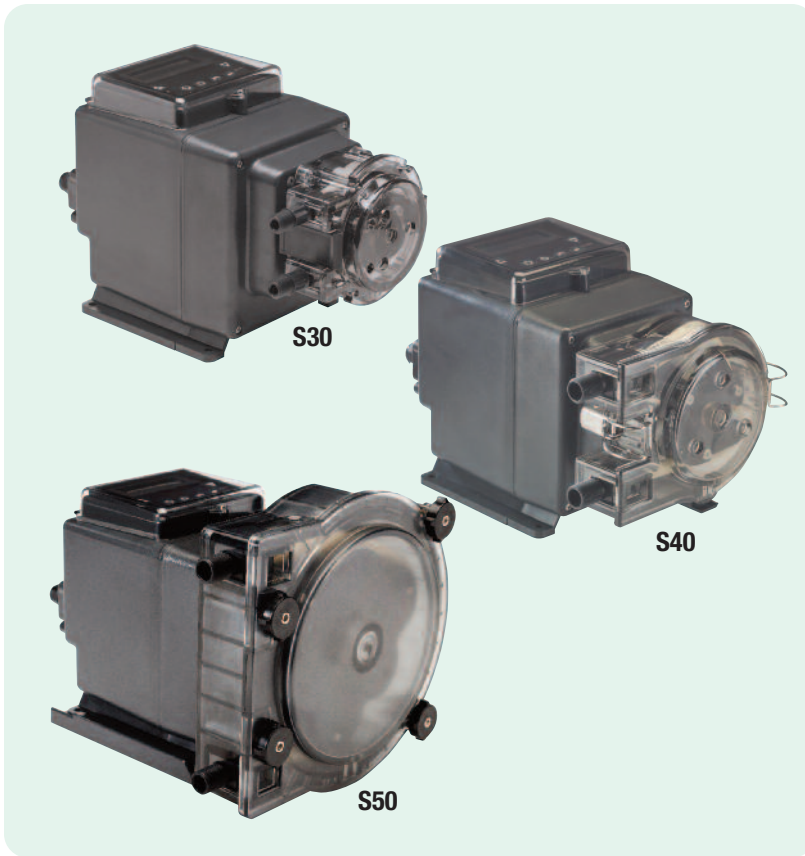
SUCTION/DISCHARGE TUBING

- 1/4" White 1
 - 1/4" UV Black 2
 - 3/8" White 3
 - 3/8" UV Black 4
 - 6 mm White *Europe* 5
- O.D. does not affect output.

TUBE MATERIAL

- Santoprene® S
 - Versilon® (#7 not available) T
- Refer to Chemical Guide for material compatibility.

NOTICE: The information within these charts is solely intended for use as a guide. The output data is an approximation based on pumping water under a controlled testing environment. Many variables can affect the output of the pump. Stenner Pump Company recommends that all metering pumps undergo field calibration by means of analytical testing to confirm their outputs.



Quick Facts

- Variable speed with multiple modes of operation
- Up to 125.0 gpd @ 100 psi maximum
Up to 315.0 gpd @ 25 psi maximum
- Totally enclosed housing, NEMA 4X
- Leak detection
- Tube life timer
- Password protection
- Backup pump capability
- Indoor/Outdoor
- 2 year warranty
- S Series pump prefix begins with S30, S40 or S50

Quick Start in 5 Steps

1. ENTER pump max. flow rate output
2. CONFIGURE options
3. SELECT mode of operation
4. PROGRAM optional relays
5. RUN pump

Designed for Demanding Applications

The S Series metering pump is designed for demanding applications with a robust totally enclosed housing, built to the NEMA 4X standard. The pump has backup capability to seamlessly transfer operation from the primary to a backup pump when needed. With the OLED display on the control panel and the programmable output relays, an operator can monitor the performance status of the pump. The password protection prevents unauthorized access to the programmed settings.

The pump interfaces with process control systems utilizing a 4-20mA output signal and three programmable output relays. Applications include but are not limited to return wastewater treatment, additive injection in a manufacturing process, and liquid biocide injection in cooling towers. Program the pump for your application with the digital keypad. Select from nine modes of operation and several pump status indicators.

Features

- Advantages of Stenner peristaltic pumps on Contents page
- Brushless DC motor with ball bearing support
- Switch mode power supply
- Digital keypad with OLED display
- Modbus RTU over RS-485 capable (accessory required)
- Tank System ships pre-assembled (S30 & S40 models only)

S SERIES

9 Modes of Operation

- 4-20mA scalable, invertible
- 0-10VDC scalable, invertible
- Timer 7-day/24-event
- Pulse
- Hall Effect
- Cycle Timer
- PPM Feed flow switch
- PPM Feed hall effect
- Manual

Pump Status Indicators

The S Series has indicators to communicate the pump status. When a pump condition is recognized; it activates either a display alarm on the control panel or an output relay indication, or both. There are three programmable relays for output indication from the pump to a control system or to another pump or receptacle.

The chart below shows the pump status and indicators available per mode of operation.

Pump Status	Pump Status Indicators		Modes of Operation
	Display Alarm on control panel	Three Output Relays to pump, system or device	
Tube Change	✓	✓	All Modes of Operation
Tube Leak	✓	✓	
Standby	✓	✓	
Drive Fault	✓	✓	
Off	✓	✓	
Run	—	✓	
Mode Change	—	✓	
Transfer**	—	✓	
Repeat Pulse	—	✓	4-20mA*, 0-10VDC*, Pulse, Cycle Timer, Manual, Timer 7-day/24-event, PPM Feed flow switch
High Signal	✓	✓	4-20mA*, 0-10VDC*
Low Signal	✓	✓	4-20mA*, 0-10VDC*
High Flow	✓	✓	Hall Effect, PPM Feed hall effect
Low Flow	✓	✓	Hall Effect
Signal Overrun	✓	✓	Pulse

* Scalable, invertible

** Transfer operation from a primary pump to a backup pump via a relay.

S SERIES S30

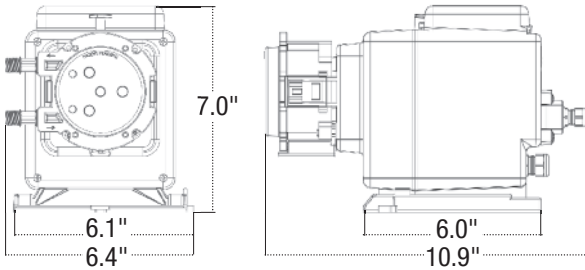
Weights and Dimensions

S30 Models

Shipping Weight 9 lbs (3.7 kg)

Box Dimensions 14 x 9 x 10 in. (35 x 23 x 24 cm)

Product Dimensions



Accessories Shipped with Each Pump

S30 Models

3 Connecting Nuts 1/4" & 3 Ferrules 1/4" or 6 mm *Europe*
or 3 Connecting Nuts & 2 Adapters 3/8"

1 Injection Fitting 25 psi (1.7 bar) max.
or 1 Duckbill Check Valve 100 psi (6.9 bar) max.

1 Weighted Suction Line Strainer 1/4", 3/8" or 6 mm *Europe*
20' Suction/Discharge Tubing 1/4" or 3/8", white or UV black
or 20' Suction/Discharge Tubing, white, 6 mm *Europe*

1 Additional Pump Tube

2 Additional Latches

1 Mounting Bracket

1 Quick Start Guide

Download S Series Manual www.stenner.com

S30 Models

Specifications

Flow Rate Output Control

Varies per control mode; digital keypad

Reproducibility ±2%

Maximum Working Pressure

25 psi (1.7 bar); 100 psi (6.9 bar)

Maximum Operating Temperature

104°F (40°C)

Maximum Suction Lift

25 ft (7.6 m) vertical lift, based on water

Motor Type

Brushless DC motor

Shaft rpm (average maximum)

45

Duty Cycle

Continuous

Maximum Viscosity

1500 centipoise

Motor Voltage (Amp Draw)

120V 60Hz 1PH (0.6); 230V 60Hz 1PH (0.3);

230V 50Hz 1PH (0.3)

Hall Effect Max. Input Frequency

100 KHz

Pulse Duration Required

10 milliseconds
Minimum duration required for pump to read signal.

Power Cord Type

120V 60Hz SJTOWA; 230V 60Hz SJTOWA;

230V 50Hz H05RN-F

Power Cord Plug End

120V 60Hz 5-15P; 230V 60Hz 6-15P;

230V 50Hz CEE7/7

Power Cord Length

6 ft (1.8 m)

Classification

Indoor/Outdoor

Materials of Construction

All Housings Polycarbonate

Pump Tube

Santoprene® (FDA approved) or Versilon®

Check Valve Duckbill

Santoprene® (FDA approved) or Pellethane®

Pump Head Rollers

Polyethylene

Roller Bushings

Oil impregnated bronze

Suction/Discharge Tubing, Ferrules

Polyethylene (FDA approved)

Tube Fittings, Injection Fittings

PVC or Polypropylene (both NSF listed)

Connecting Nuts

PVC or Polypropylene (both NSF listed)

3/8" Adapter

PVC or Polypropylene (both NSF listed)

Suction Line Strainer and Cap

PVC or Polypropylene (both NSF listed);

ceramic weight

All Fasteners

Stainless steel

Pump Head Latches

Polypropylene

Leak Detect Components

Hastelloy®

NOTE: Refer to Chemical Guide for material compatibility.

Agency Listings

- NEMA 4X
- IAPMO Listed, conforms to standard NSF/ANSI 61 & 372 (excludes any model with a Versilon® tube).
- INTERTEK/ETL Sanitation Listed, conforms to standard NSF/ANSI 50 (excludes any model with a Versilon® tube).
- INTERTEK/ETL Tested for CE, IP65 rating, with maximum altitude of 2000 m.



THIS PUMP IS TESTED AND CERTIFIED BY IAPMO ACCORDING TO ANSI/NSF 61 FOR CONTACT WITH SODIUM HYPOCHLORITE AND WATER ONLY AND NSF/ANSI 372.



Intertek
94247
CONFORMS TO
ANSI/NSF STD. 50
Equipment for swimming pools,
spas, hot tubs and other
recreational water facilities.

Listings vary by model.

S SERIES S30 Models

Flow Rate Outputs S30 Models 25 psi (1.7 bar) max.

Pump Prefix	Pump Tube	Turndown Ratio	Gallons per Day	Gallons per Hour	Ounces per Hour	Ounces per Minute	Liters per Day	Liters per Hour	Milliliters per Hour	Milliliters per Minute
S3003	3	100:1	0.40 to 40.0	0.017 to 1.67	2.13 to 213.0	0.036 to 3.56	1.51 to 151.0	0.063 to 6.31	63.09 to 6309.0	1.05 to 105.0
S3004	4	100:1	0.60 to 60.0	0.025 to 2.50	3.20 to 320.0	0.053 to 5.33	2.27 to 227.0	0.095 to 9.46	94.64 to 9464.0	1.58 to 158.0
S3005	5	100:1	0.85 to 85.0	0.035 to 3.54	4.53 to 453.0	0.076 to 7.56	3.22 to 322.0	0.134 to 13.41	134.07 to 13407.0	2.23 to 223.0

Approximate output @ 50/60Hz

Flow Rate Outputs S30 Models 100 psi (6.9 bar) max.

Pump Prefix	Pump Tube	Turndown Ratio	Gallons per Day	Gallons per Hour	Ounces per Hour	Ounces per Minute	Liters per Day	Liters per Hour	Milliliters per Hour	Milliliters per Minute
S3001	1	100:1	0.05 to 5.0	0.002 to 0.21	0.27 to 27.0	0.004 to 0.44	0.19 to 19.0	0.008 to 0.79	7.89 to 789.0	0.13 to 13.0
S3002	2	100:1	0.17 to 17.0	0.007 to 0.71	0.91 to 91.0	0.015 to 1.51	0.64 to 64.0	0.027 to 2.68	26.81 to 2681.0	0.45 to 45.0
S3007	7	100:1	0.40 to 40.0	0.017 to 1.67	2.13 to 213.0	0.036 to 3.56	1.51 to 151.0	0.063 to 6.31	63.09 to 6309.0	1.05 to 105.0

Approximate output @ 50/60Hz

PUMP Build Item Number



VOLTAGE & HERTZ

120V 60Hz
230V 60Hz
230V 50Hz *International*
Contact factory for additional voltage and plug options.

AA
BA
DC

SUCTION/DISCHARGE TUBING

1/4" White
1/4" UV Black
3/8" White
3/8" UV Black
6 mm White *Europe*
O.D. does not affect output.

10
20
30
40
50

TUBE MATERIAL

Santoprene®
Versilon® (#7 not available)
Refer to Chemical Guide for material compatibility.

1
2

N INJECTION COMPONENTS

Injection Fitting 25 psi max. or
Santoprene® or Pellethane®, Duckbill Check Valve 100 psi max.
Refer to Chemical Guide for material compatibility.

TANK SYSTEM Build Item Number



TANK

7.5-Gallon UV Gray
7.5-Gallon White
15-Gallon UV Gray
15-Gallon White
30-Gallon UV Gray
30-Gallon White

S7G
S7N
S1G
S1N
S3G
S3N

VOLTAGE & HERTZ

120V 60Hz
230V 60Hz
230V 50Hz *International*
Contact factory for additional voltage and plug options.

AA
BA
DC

SUCTION/DISCHARGE TUBING

1/4" White
1/4" UV Black
3/8" White
3/8" UV Black
6 mm White *Europe*
O.D. does not affect output.

10
20
30
40
50

TUBE MATERIAL

Santoprene®
Versilon® (#7 not available)
Refer to Chemical Guide for material compatibility.

1
2

N INJECTION COMPONENTS

Injection Fitting 25 psi max. or
Santoprene® or Pellethane®, Duckbill Check Valve 100 psi max.
Refer to Chemical Guide for material compatibility.

NOTICE: The information within these charts is solely intended for use as a guide. The output data is an approximation based on pumping water under a controlled testing environment. Many variables can affect the output of the pump. Stenner Pump Company recommends that all metering pumps undergo field calibration by means of analytical testing to confirm their outputs.

S SERIES S40 and S50

Weights and Dimensions

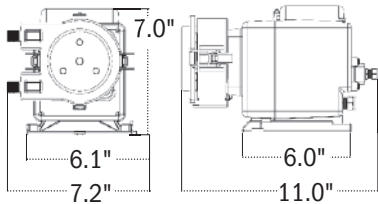
S40 Models

Shipping Weight 9 lbs (3.9 kg)

Box Dimensions

13 x 8 x 10 in. (33 x 20 x 24 cm)

Product Dimensions



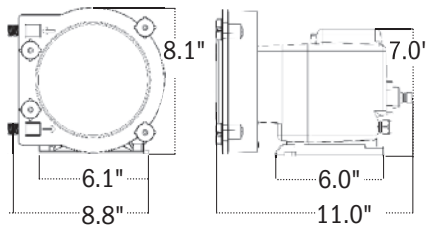
S50 Models

Shipping Weight 14 lbs (6.3 kg)

Box Dimensions

16 x 13 x 14 in. (41 x 32 x 35 cm)

Product Dimensions



Accessories Shipped with Each Pump

S40, S50 Models

3 Connecting Nuts & 2 Adapters 3/8"

1 Ball Check Valve 3/8"

1 Weighted Suction Line Strainer 3/8"

20' Suction/Discharge Tubing 3/8", white or UV black

1 Additional Pump Tube

1 Mounting Bracket

1 Quick Start Guide

Download S Series Manual

www.stenner.com/resources/literature/s-series

S40, S50 Models

Specifications

Flow Rate Output Control

Varies per control mode; digital keypad

Reproducibility $\pm 2\%$

Maximum Working Pressure

25 psi (1.7 bar); 100 psi (6.9 bar)

Maximum Operating Temperature

104°F (40°C)

Maximum Suction Lift

25 ft (7.6 m) vertical lift, based on water

Motor Type

Brushless DC motor

Shaft rpm (average maximum) 45

Duty Cycle

Continuous

Maximum Viscosity 1500 centipoise

Motor Voltage (Amp Draw)

120V 60Hz 1PH (0.6); 230V 60Hz 1PH (0.3);

230V 50Hz 1PH (0.3)

Hall Effect Max. Input Frequency

100 KHz

Pulse Duration Required 10 milliseconds

Minimum duration required for pump to read signal.

Power Cord Type

120V 60Hz SJTOWA; 230V 60Hz SJTOWA;

230V 50Hz H05RN-F

Power Cord Plug End

120V 60Hz 5-15P; 230V 60Hz 6-15P;

230V 50Hz CEE7/7

Power Cord Length 6 ft (1.8 m)

Classification Indoor/Outdoor

Materials of Construction

All Housings Polycarbonate

Pump Tube Santoprene® (FDA approved)

Ball Check Valve Components

- Ceramic ball (FDA approved); tantalum spring; FKM seat & O-ring

- Ceramic ball (FDA approved); stainless steel spring; EPDM seat; Santoprene® O-ring

Pump Head Rollers

S40 Polyethylene; **S50** Polycarbonate

Guide Rollers **S50** Polyethylene

Roller Bushings

S40 Oil impregnated bronze; **S50** Ball bearings

Suction/Discharge Tubing Polyethylene (FDA approved)

Tube Fittings, Injection Fittings

PVC or Polypropylene (both NSF listed)

Connecting Nuts PVC or Polypropylene (both NSF listed)

3/8" Adapter PVC or Polypropylene (both NSF listed)

Suction Line Strainer and Cap

PVC or Polypropylene (both NSF listed); ceramic weight

All Fasteners Stainless steel

Pump Head Latches **S40** Stainless steel

Pump Head Thumbscrews

S50 Stainless steel and PVC

Pump Head Support & Transition Sleeve

S50 Santoprene®

Tube Pull **S50** PVC

Leak Detect Components Hastelloy®

NOTE: Refer to Chemical Guide for material compatibility.

Agency Listings

- NEMA 4X

- IAPMO Listed, conforms to standard NSF/ANSI 61 & 372 (excludes any model with a Versilon® tube).

- INTERTEK/ETL Sanitation Listed, conforms to standard NSF/ANSI 50 (excludes any model with a 7X or 7G tube or a ball check valve with stainless steel spring).

- INTERTEK/ETL Tested for CE IP65 rating with maximum altitude of 2000 m.



THIS PUMP IS TESTED AND CERTIFIED BY IAPMO ACCORDING TO ANSI/NSF 61 FOR CONTACT WITH SODIUM HYPOCHLORITE AND WATER ONLY AND NSF/ANSI 372.



Intertek
94247
CONFORMS TO
ANSI/NSF STD. 50
Equipment for swimming pools,
spas, hot tubs and other
recreational water facilities.

Listings vary by model.

S SERIES S40 and S50 Models

Flow Rate Outputs S40 & S50 Models 25 psi (1.7 bar) max.

Pump Prefix	Pump Tube	Turndown Ratio	Gallons per Day	Gallons per Hour	Ounces per Hour	Ounces per Minute	Liters per Day	Liters per Hour	Milliliters per Hour	Milliliters per Minute
S405X	5X	100:1	1.5 to 150.0	0.06 to 6.25	8.0 to 800.0	0.13 to 13.33	5.7 to 567.0	0.24 to 23.66	236.59 to 23659.0	3.94 to 394.0
S505G	5G	100:1	3.2 to 315.0	0.133 to 13.13	17.07 to 1680.0	0.284 to 28.00	12.11 to 1192.0	0.505 to 49.68	504.72 to 49684.0	8.41 to 828.0
Approximate output @ 50/60Hz										

Flow Rate Outputs S40 & S50 Models 100 psi (6.9 bar) max.

Pump Prefix	Pump Tube	Turndown Ratio	Gallons per Day	Gallons per Hour	Ounces per Hour	Ounces per Minute	Liters per Day	Liters per Hour	Milliliters per Hour	Milliliters per Minute
S407X	7X	100:1	0.6 to 60.0	0.03 to 2.50	3.2 to 320.0	0.053 to 5.34	2.3 to 227.0	0.09 to 9.46	94.64 to 9464.0	1.58 to 158.0
S507G	7G	100:1	1.3 to 125.0	0.054 to 5.21	6.93 to 667.0	0.116 to 11.11	4.92 to 473.0	0.205 to 19.72	205.04 to 19,716.0	3.42 to 329.0
Approximate output @ 50/60Hz										

PUMP Build Item Number



VOLTAGE & HERTZ

120V 60Hz
230V 60Hz
230V 50Hz *International*
Contact factory for additional voltage and plug options.

AA
BA
DC

SUCTION/DISCHARGE TUBING

3/8" White
3/8" UV Black
O.D. does not affect output.

30
40

BALL CHECK VALVE SPRING, SEAT & O-RING

Tantalum spring, FKM seat & O-ring
Stainless steel spring, EPDM seat,
Santoprene® O-ring
Refer to Chemical Guide for material compatibility.

1
2

1 TUBE MATERIAL Santoprene®
Refer to Chemical Guide for material compatibility.

S40 Models Only

TANK SYSTEM Build Item Number



TANK

7.5-Gallon UV Gray
7.5-Gallon White
15-Gallon UV Gray
15-Gallon White
30-Gallon UV Gray
30-Gallon White

S7G
S7N
S1G
S1N
S3G
S3N

VOLTAGE & HERTZ

120V 60Hz
230V 60Hz
230V 50Hz *International*
Contact factory for additional voltage and plug options.

AA
BA
DC

SUCTION/DISCHARGE TUBING

3/8" White
3/8" UV Black
O.D. does not affect output.

30
40

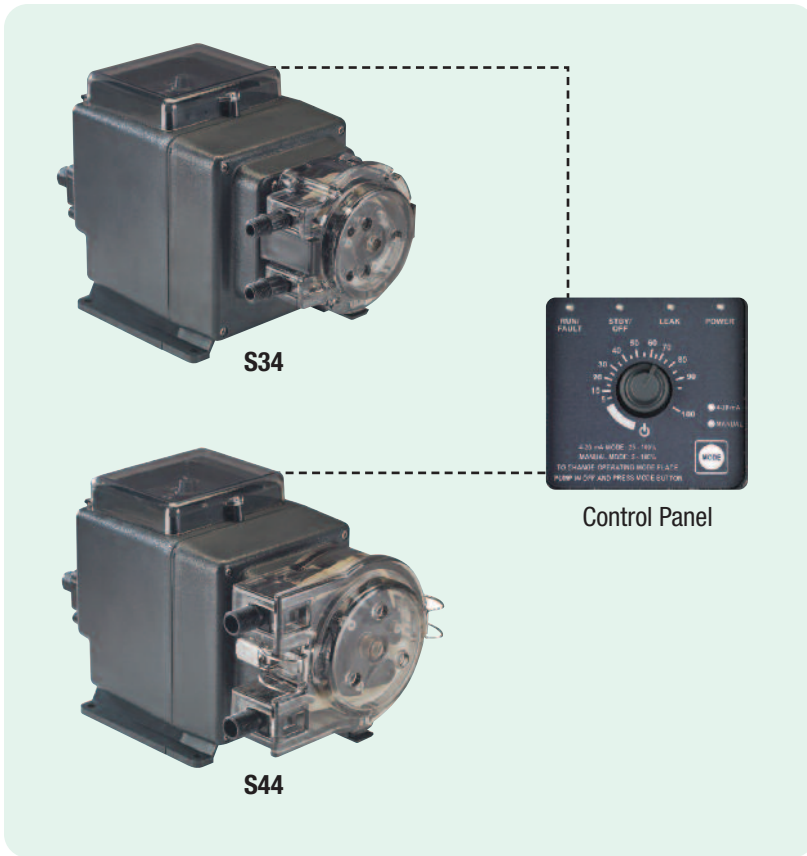
BALL CHECK VALVE SPRING, SEAT & O-RING

Tantalum spring, FKM seat & O-ring
Stainless steel spring, EPDM seat,
Santoprene® O-ring
Refer to Chemical Guide for material compatibility.

1
2

1 TUBE MATERIAL Santoprene®
Refer to Chemical Guide for material compatibility.

NOTICE: The information within these charts is solely intended for use as a guide. The output data is an approximation based on pumping water under a controlled testing environment. Many variables can affect the output of the pump. Stenner Pump Company recommends that all metering pumps undergo field calibration by means of analytical testing to confirm their outputs.



Quick Facts

- Activated by 4-20mA input or manually
- Up to 60.0 gpd @100 psi max.
Up to 150.0 gpd @ 25 psi max.
- Leak detection
- Tube replacement without tools
- Indoor/Outdoor
- 2 year warranty
- S420 pump prefix begins with S34 or S44

Features

- Advantages of Stenner peristaltic pumps on Contents page
- Totally enclosed housing, NEMA 4X
- Brushless DC motor with ball bearing support
- Three dedicated output relays
- LED pump status indicators
- Remote start or stop
- Advantages of peristaltic pumps on Contents page

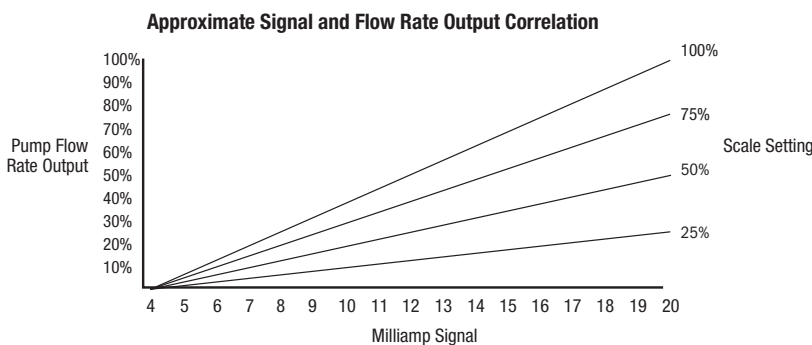
Backup Pump Capability

The S420 has backup pump capability to the primary pump to maintain operation in critical applications. When programmed, the primary pump transfers operation seamlessly to the backup pump.

HOW IT WORKS

The S420 variable speed metering pump injects solution in direct proportion to an incoming 4-20mA analog signal. To achieve the desired flow rate output, the operator scales the pump's response to the signal from 25% to 100% of the maximum flow rate output.

The ability to accept a 4-20mA signal makes the pump well suited for use with water treatment controls including pH and ORP monitors to maintain proper water chemistry and to treat effluent discharge water. Installations can include industrial and municipal wastewater treatment facilities and well or surface water treatment for municipalities who supply potable water to residential communities or commercial sites.



The chart illustrates the correlation between the signal received and the pump flow rate output based on the scale setting. When operating in manual mode, the adjustment range is 5% to 100%.

S420 SERIES

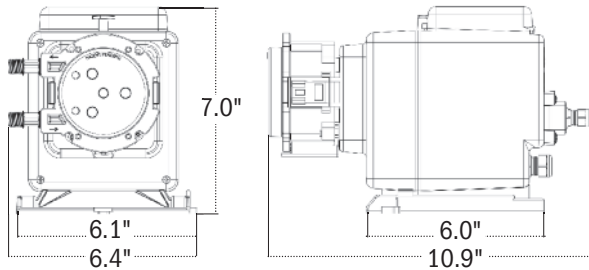
Weights and Dimensions

S34 Models

Shipping Weight 9 lbs (3.7 kg)

Box Dimensions 14 x 9 x 10 in. (35 x 32 x 24 cm)

Product Dimensions

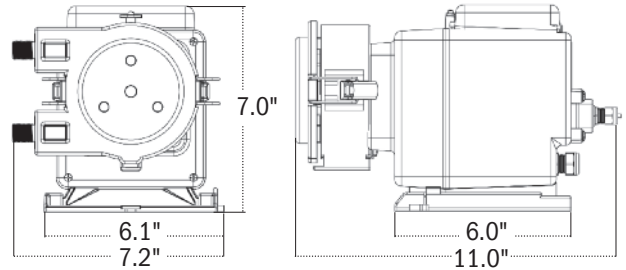


S44 Models

Shipping Weight 9 lbs (3.7 kg)

Box Dimensions 14 x 9 x 10 in. (35 x 32 x 24 cm)

Product Dimensions



Accessories Shipped with Each Pump

S34 Models

3 Connecting Nuts 1/4" & 3 Ferrules 1/4" or 6 mm *Europe*
or 3 Connecting Nuts & 2 Adapters 3/8"

1 Injection Fitting 25 psi (1.7 bar) max.
or 1 Duckbill Check Valve 100 psi (6.9 bar) max.

1 Weighted Suction Line Strainer 1/4", 3/8" or 6 mm *Europe*
20' Suction/Discharge Tubing 1/4" or 3/8", white or UV black
or 20' Suction/Discharge Tubing, white, 6 mm *Europe*

1 Additional Pump Tube

2 Additional Latches

1 Mounting Bracket

1 Manual

S44 Models

3 Connecting Nuts & 2 Adapters 3/8"

1 Ball Check Valve 3/8"

1 Weighted Suction Line Strainer 3/8"

20' Suction/Discharge Tubing 3/8", white or UV black

1 Additional Pump Tube

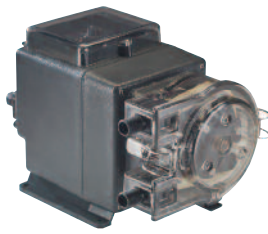
1 Mounting Bracket

1 Manual

S420 SERIES



S34



S44

Specifications

Flow Rate Output Control

4-20mA input signal or manual

Reproducibility $\pm 2\%$

Maximum Working Pressure

25 psi (1.7 bar); 100 psi (6.9 bar)

Maximum Operating Temperature

104°F (40°C)

Maximum Suction Lift

25 ft (7.6 m) vertical lift, based on water

Motor Type

Brushless DC motor

Shaft rpm (average maximum) 45

Duty Cycle

Continuous

Maximum Viscosity

1500 centipoise

Motor Voltage (Amp Draw)

120V 60Hz 1PH (0.6); 230V 60Hz 1PH (0.3);

230V 50Hz 1PH (0.3)

Power Cord Type

120V 60Hz SJTOWA; 230V 60Hz SJTOWA;

230V 50Hz H05RN-F

Power Cord Plug End

120V 60Hz 5-15P; 230V 60Hz 6-15P;

230V 50Hz CEE7/7

Power Cord Length

6 ft (1.8 m)

Classification

Indoor/Outdoor

Materials of Construction

All Housings

Polycarbonate

Pump Tube

- Santoprene® (FDA approved)

- Versilon® **S34**

Check Valve Duckbill **S34**

Santoprene® (FDA approved) or Pellethane®

Ball Check Valve Components **S44**

- Ceramic ball (FDA approved); tantalum spring;

FKM seat & O-ring

- Ceramic ball (FDA approved); stainless steel spring;

EPDM seat; Santoprene® O-ring

Pump Head Rollers

Polyethylene

Roller Bushings

Oil impregnated bronze

Suction/Discharge Tubing, Ferrules

Polyethylene (FDA approved)

Tube Fittings & Injection Fittings

PVC or Polypropylene (both NSF listed)

Connecting Nuts

PVC or Polypropylene (both NSF listed)

3/8" Adapter **S34**

PVC or Polypropylene (both NSF listed)

Suction Line Strainer and Cap

PVC or Polypropylene (both NSF listed); ceramic weight

All Fasteners

Stainless steel

Pump Head Latches

S34 Polypropylene

S44 Stainless steel

Leak Detect Components

Hastelloy®

NOTE: Refer to Chemical Guide for material compatibility.

Agency Listings



THIS PUMP IS TESTED AND CERTIFIED BY IAPMO ACCORDING TO ANS/NSF 61 FOR CONTACT WITH SODIUM HYPOCHLORITE AND WATER ONLY AND NSF/ANSI 372.



Intertek
94247

CONFORMS TO
ANSI/NSF STD. 50
Equipment for swimming pools,
spas, hot tubs and other
recreational water facilities.

- NEMA 4X
- IAPMO Listed, conforms to standard NSF/ANSI 61 & 372 (excludes any model with a Versilon® tube).
- INTERTEK/ETL Sanitation Listed conforms to standard NSF/ANSI 50 (excludes any model with a Versilon® tube, 7X tube or ball check valve with stainless steel spring).

Listings vary by model.

S420 SERIES Models

Flow Rate Outputs S34 Models 25 psi (1.7 bar) max.

Pump Prefix	Pump Tube	Turndown 4-20mA	Turndown Manual Mode	Gallons per Day	Gallons per Hour	Ounces per Hour	Ounces per Minute	Liters per Day	Liters per Hour	Milliliters per Hour	Milliliters per Minute
S3403	3	100:1	20:1	40.0	1.67	213.0	3.56	151.0	6.31	6309.0	105.0
S3404	4	100:1	20:1	60.0	2.50	320.0	5.33	227.0	9.46	9464.0	158.0
S3405	5	100:1	20:1	85.0	3.54	453.0	7.56	322.0	13.41	13407.0	223.0

Approximate max. output @ 50/60Hz

Flow Rate Outputs S34 Models 100 psi (6.9 bar) max.

Pump Prefix	Pump Tube	Turndown 4-20mA	Turndown Manual Mode	Gallons per Day	Gallons per Hour	Ounces per Hour	Ounces per Minute	Liters per Day	Liters per Hour	Milliliters per Hour	Milliliters per Minute
S3401	1	100:1	20:1	5.0	0.21	27.0	0.44	19.0	0.79	789.0	13.0
S3402	2	100:1	20:1	17.0	0.71	91.0	1.51	64.0	2.68	2681.0	45.0
S3407	7	100:1	20:1	40.0	1.67	213.0	3.56	151.0	6.31	6309.0	105.0

Approximate max. output @ 50/60Hz

PUMP Build Item Number



VOLTAGE & HERTZ

120V 60Hz
230V 60Hz
230V 50Hz *International*
Contact factory for additional voltage and plug options.

AA
BA
DC

SUCTION/DISCHARGE TUBING

1/4" White
1/4" UV Black
3/8" White
3/8" UV Black
6 mm White *Europe*
O.D. does not affect output.

10
20
30
40
50

TUBE MATERIAL

Santoprene®
Versilon® (#7 not available)
Refer to Chemical Guide for material compatibility.

1
2

N INJECTION COMPONENTS

Injection Fitting 25 psi max. or Santoprene® or Pellethane®.
Duckbill Check Valve 100 psi max.
Refer to Chemical Guide for material compatibility.

Flow Rate Outputs S44 Models 25 psi (1.7 bar) max.

Pump Prefix	Pump Tube	Turndown 4-20mA	Turndown Manual Mode	Gallons per Day	Gallons per Hour	Ounces per Hour	Ounces per Minute	Liters per Day	Liters per Hour	Milliliters per Hour	Milliliters per Minute
S445X	5X	100:1	20:1	150.0	6.25	800.0	13.33	568.0	23.66	23659.0	394.0

Approximate max. output @ 50/60Hz

Flow Rate Outputs S44 Models 100 psi (6.9 bar) max.

Pump Prefix	Pump Tube	Turndown 4-20mA	Turndown Manual Mode	Gallons per Day	Gallons per Hour	Ounces per Hour	Ounces per Minute	Liters per Day	Liters per Hour	Milliliters per Hour	Milliliters per Minute
S447X	7X	100:1	20:1	60.0	2.50	320.0	5.33	227.0	9.46	9464.0	158.0

Approximate max. output @ 50/60Hz

PUMP Build Item Number



VOLTAGE & HERTZ

120V 60Hz
230V 60Hz
230V 50Hz *International*
Contact factory for additional voltage and plug options.

AA
BA
DC

SUCTION/DISCHARGE TUBING

3/8" White
3/8" UV Black
O.D. does not affect output.

30
40

BALL CHECK VALVE SPRING, SEAT & O-RING

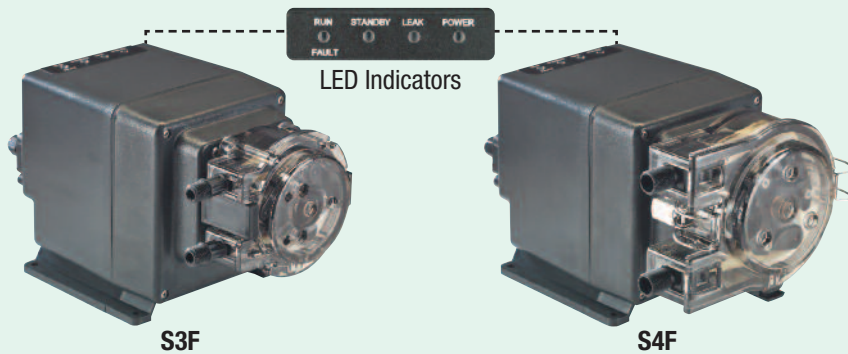
Tantalum spring, FKM seat & O-ring
Stainless steel spring, EPDM seat, Santoprene® O-ring
Refer to Chemical Guide for material compatibility.

1
2

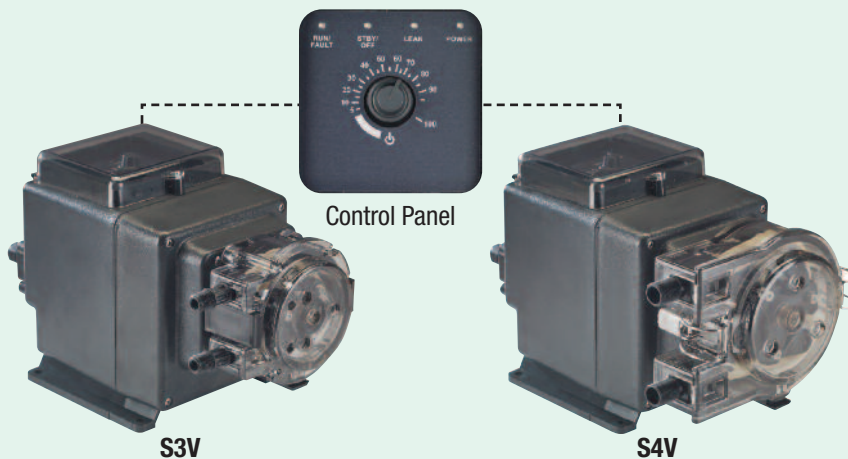
1 TUBE MATERIAL Santoprene®
Refer to Chemical Guide for material compatibility.

NOTICE: The information within these charts is solely intended for use as a guide. The output data is an approximation based on pumping water under a controlled testing environment. Many variables can affect the output of the pump. Stenner Pump Company recommends that all metering pumps undergo field calibration by means of analytical testing to confirm their outputs.

S FIXED



S VARIABLE



Quick Facts

- Backup pump capability
- Leak detection
- Totally enclosed housing, NEMA 4X
- Indoor/Outdoor
- Tube replacement without tools
- 2 year warranty

S FIXED

- Up to 60.0 gpd @ 100 psi max.
Up to 150.0 gpd @ 25 psi max.
- S Fixed pump prefix begins with S3F or S4F

S VARIABLE

- Up to 60.0 gpd @ 100 psi max.
Up to 150.0 gpd @ 25 psi max.
- S Variable pump prefix begins with S3V or S4V

HOW IT WORKS

The S Fixed and S Variable pumps are both activated by mains power or by a standby input.

S FIXED

Operates at one speed when power is applied, or the standby input is removed. Does not have an on/off switch.

S VARIABLE


Operates at a programmed speed when power is applied, or the standby input is removed.

Features

- Advantages of Stenner peristaltic pumps on Contents page
- LED pump status indicators
- Dedicated relays

S FIXED AND S VARIABLE SERIES

4 LED Pump Status Indicators

POWER	Solid green when mains power is connected.
LEAK	Blinking red when solution is present in the pump head.
RUN/FAULT	Solid green when pump is operating. Blinking red when pump has a drive fault.
STANDBY	S FIXED Solid red, pump is in standby when contact closure is on the standby inputs.
STANDBY/OFF	S VARIABLE Solid red, pump is in standby when a contact closure is on the standby inputs. Blinking red when potentiometer is set to standby setting  .

3 Dedicated Relays

LEAK DETECT

- Detects when solution is present in the pump head
- Red LED blinks
- Sends relay to indicate leak is detected
- Option to allow pump to continue to run

RUN

- Solid green LED
- Sends relay to indicate pump is operating

TRANSFER

Sends relay from primary pump to transfer operation to a backup pump if there is loss of power, a drive fault or a leak is detected.

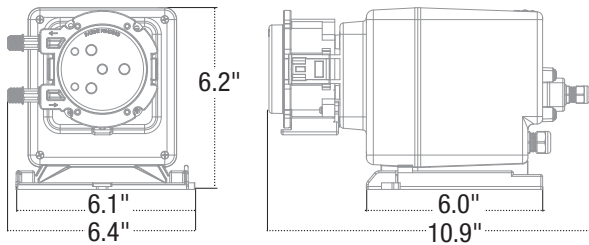
S FIXED AND S VARIABLE SERIES

Weights and Dimensions

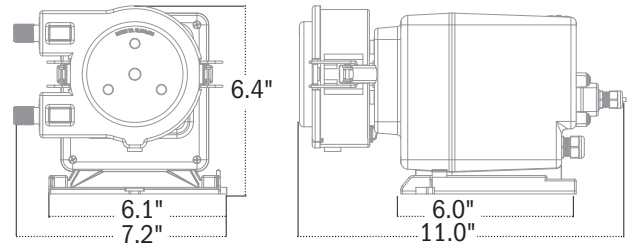
Shipping Weight 9 lbs (3.7 kg)

Box Dimensions 14 x 9 x 10 in. (35 x 32 x 24 cm)

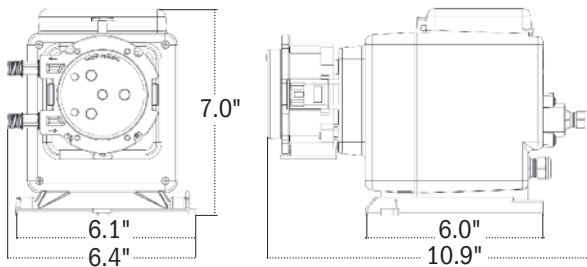
S3F Models Product Dimensions



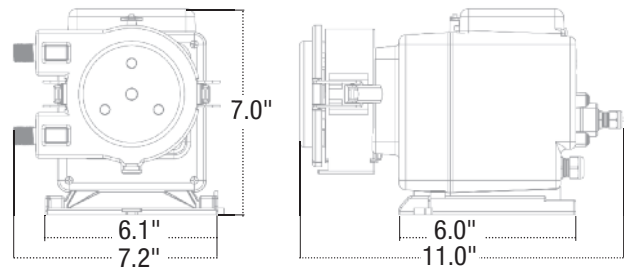
S4F Models Product Dimensions



S3V Models Product Dimensions



S4V Models Product Dimensions



Accessories Shipped with Each Pump

S3F, S3V Models

- 3 Connecting Nuts 1/4" & 3 Ferrules 1/4" or 6 mm *Europe* or 3 Connecting Nuts & 2 Adapters 3/8"
- 1 Injection Fitting 25 psi (1.7 bar) max. or 1 Duckbill Check Valve 100 psi (6.9 bar) max.
- 1 Weighted Suction Line Strainer 1/4", 3/8" or 6 mm *Europe*
- 20' Suction/Discharge Tubing 1/4" or 3/8", white or UV black or 20' Suction/Discharge Tubing, white, 6 mm *Europe*
- 1 Additional Pump Tube
- 2 Additional Latches
- 1 Mounting Bracket
- 1 Manual

S4F, S4V Models

- 3 Connecting Nuts & 2 Adapters 3/8"
- 1 Ball Check Valve 3/8"
- 1 Weighted Suction Line Strainer 3/8"
- 20' Suction/Discharge Tubing 3/8", white or UV black
- 1 Additional Pump Tube
- 1 Mounting Bracket
- 1 Manual

S FIXED AND S VARIABLE SERIES

S FIXED



S3F



S4F

S VARIABLE



S3V



S4V

Specifications

Flow Rate Output Control

S3F, S4F Fixed Rate

S3V, S4V Potentiometer

Reproducibility $\pm 2\%$

Maximum Working Pressure

25 psi (1.7 bar); 100 psi (6.9 bar)

Maximum Operating Temperature

104°F (40°C)

Maximum Suction Lift

25 ft (7.6 m) vertical lift, based on water

Motor Type

Brushless DC motor

Shaft rpm (average maximum)

45

Duty Cycle

Continuous

Maximum Viscosity

1500 centipoise

Motor Voltage (Amp Draw)

120V 60Hz 1PH (0.6); 230V 60Hz 1PH (0.3);

230V 50Hz 1PH (0.3)

Power Cord Type

120V 60Hz SJTOWA; 230V 60Hz SJTOWA;

230V 50Hz H05RN-F

Power Cord Plug End

120V 60Hz 5-15P; 230V 60Hz 6-15P;

230V 50Hz CEE7/7

Power Cord Length

6 ft (1.8 m)

Classification

Indoor/Outdoor

Materials of Construction

All Housings

Polycarbonate

Pump Tube

- Santoprene® (FDA approved)

- Versilon® **S3F, S3V**

Check Valve Duckbill **S3F, S3V**

Santoprene® (FDA approved) or Pellethane®

Ball Check Valve Components **S4F, S4V**

- Ceramic ball (FDA approved); tantalum spring;

FKM seat & O-ring

- Ceramic ball (FDA approved); stainless steel spring;

EPDM seat; Santoprene® O-ring

Pump Head Rollers

Polyethylene

Roller Bushings

Oil impregnated bronze

Suction/Discharge Tubing, Ferrules

Polyethylene (FDA approved)

Tube Fittings & Injection Fittings

PVC or Polypropylene (both NSF listed)

Connecting Nuts

PVC or Polypropylene (both NSF listed)

3/8" Adapter **S3F, S3V**

PVC or Polypropylene (both NSF listed)

Suction Line Strainer and Cap

PVC or Polypropylene (both NSF listed);

ceramic weight

All Fasteners

Stainless steel

Pump Head Latches

S3F, S3V Polypropylene

S4F, S4V Stainless steel

Leak Detect Components

Hastelloy®

NOTE: Refer to Chemical Guide for material compatibility.

Agency Listings



THIS PUMP IS TESTED AND CERTIFIED BY IAPMO ACCORDING TO ANSI/NSF 61 FOR CONTACT WITH SODIUM HYPOCHLORITE AND WATER ONLY AND NSF/ANSI 372.



Intertek 94247 CONFORMS TO ANSI/NSF STD. 50 Equipment for swimming pools, spas, hot tubs and other recreational water facilities.

Intertek 94247 CONFORMS TO ANSI/NSF STD. 50 Equipment for swimming pools, spas, hot tubs and other recreational water facilities. USE ONLY WITH ANSI/NSF 50 LISTED CONTROLLERS

- NEMA 4X
- IAPMO Listed, conforms to standard NSF/ANSI 61 & 372 (excludes any model with a Versilon® tube).
- INTERTEK/ETL Sanitation Listed, Variable models conform to standard NSF/ANSI 50 (excludes any model with a Versilon® tube, 7X tube or ball check valve with stainless steel spring).
- INTERTEK/ETL Sanitation Listed, Fixed models conform to standard NSF/ANSI 50 only when used with standard NSF/ANSI 50 listed controllers (excludes any model with a Versilon® tube, 7X tube or ball check valve with stainless steel spring).
- INTERTEK/ETL Tested for CE, IP65 rating, with maximum altitude of 2000 m.

Listings vary by model.

S FIXED SERIES Models

Flow Rate Outputs S3F Models 25 psi (1.7 bar) max.

Pump Prefix	Pump Tube	Gallons per Day	Gallons per Hour	Ounces per Hour	Ounces per Minute	Liters per Day	Liters per Hour	Milliliters per Hour	Milliliters per Minute
S3F03	3	40.0	1.67	213.0	3.56	151.0	6.31	6309.0	105.0
S3F04	4	60.0	2.50	320.0	5.33	227.0	9.46	9464.0	158.0
S3F05	5	85.0	3.54	453.0	7.56	322.0	13.41	13407.0	223.0

Approximate output @ 50/60Hz

Flow Rate Outputs S3F Models 100 psi (6.9 bar) max.

Pump Prefix	Pump Tube	Gallons per Day	Gallons per Hour	Ounces per Hour	Ounces per Minute	Liters per Day	Liters per Hour	Milliliters per Hour	Milliliters per Minute
S3F01	1	5.0	0.21	27.0	0.44	19.0	0.79	789.0	13.0
S3F02	2	17.0	0.71	91.0	1.51	64.0	2.68	2681.0	45.0
S3F07	7	40.0	1.67	213.0	3.56	151.0	6.31	6309.0	105.0

Approximate output @ 50/60Hz

PUMP Build Item Number



VOLTAGE & HERTZ

120V 60Hz
230V 60Hz
230V 50Hz *International*
Contact factory for additional voltage and plug options.

AA
BA
DC

SUCTION/DISCHARGE TUBING

1/4" White
1/4" UV Black
3/8" White
3/8" UV Black
6 mm White *Europe*
O.D. does not affect output.

10
20
30
40
50

TUBE MATERIAL

Santoprene®
Versilon® (#7 not available)
Refer to Chemical Guide for material compatibility.

1
2

N INJECTION COMPONENTS

Injection Fitting 25 psi max. or Santoprene® or Pellethane®, Duckbill Check Valve 100 psi max. Refer to Chemical Guide for material compatibility.

Flow Rate Outputs S4F Models 25 psi (1.7 bar) max.

Pump Prefix	Pump Tube	Gallons per Day	Gallons per Hour	Ounces per Hour	Ounces per Minute	Liters per Day	Liters per Hour	Milliliters per Hour	Milliliters per Minute
S4F5X	5X	150.0	6.25	800.0	13.33	568.0	23.66	23659.0	394.0

Approximate output @ 50/60Hz

Flow Rate Outputs S4F Models 100 psi (6.9 bar) max.

Pump Prefix	Pump Tube	Gallons per Day	Gallons per Hour	Ounces per Hour	Ounces per Minute	Liters per Day	Liters per Hour	Milliliters per Hour	Milliliters per Minute
S4F7X	7X	60.0	2.50	320.0	5.33	227.0	9.46	9464.0	158.0

Approximate output @ 50/60Hz

PUMP Build Item Number



VOLTAGE & HERTZ

120V 60Hz
230V 60Hz
230V 50Hz *International*
Contact factory for additional voltage and plug options.

AA
BA
DC

SUCTION/DISCHARGE TUBING

3/8" White
3/8" UV Black
O.D. does not affect output.

30
40

BALL CHECK VALVE SPRING, SEAT & O-RING

Tantalum spring, FKM seat & O-ring
Stainless steel spring, EPDM seat, Santoprene® O-ring
Refer to Chemical Guide for material compatibility.

1
2

1 TUBE MATERIAL Santoprene®
Refer to Chemical Guide for material compatibility.

NOTICE: The information within these charts is solely intended for use as a guide. The output data is an approximation based on pumping water under a controlled testing environment. Many variables can affect the output of the pump. Stenner Pump Company recommends that all metering pumps undergo field calibration by means of analytical testing to confirm their outputs.

S VARIABLE SERIES Models

Flow Rate Outputs S3V Models 25 psi (1.7 bar) max.

Pump Prefix	Pump Tube	Turndown Ratio	Gallons per Day	Gallons per Hour	Ounces per Hour	Ounces per Minute	Liters per Day	Liters per Hour	Milliliters per Hour	Milliliters per Minute
S3V03	3	20:1	2.0 to 40.0	0.08 to 1.67	10.7 to 213.0	0.18 to 3.56	7.6 to 151.0	0.32 to 6.31	315.5 to 6309.0	5.3 to 105.0
S3V04	4	20:1	3.0 to 60.0	0.13 to 2.50	16.0 to 320.0	0.27 to 5.33	11.4 to 227.0	0.47 to 9.46	473.2 to 9464.0	7.9 to 158.0
S3V05	5	20:1	4.3 to 85.0	0.18 to 3.54	22.7 to 453.0	0.38 to 7.56	16.1 to 322.0	0.67 to 13.41	670.3 to 13407.0	11.2 to 223.0

Approximate output @ 50/60Hz

Flow Rate Outputs S3V Models 100 psi (6.9 bar) max.

Pump Prefix	Pump Tube	Turndown Ratio	Gallons per Day	Gallons per Hour	Ounces per Hour	Ounces per Minute	Liters per Day	Liters per Hour	Milliliters per Hour	Milliliters per Minute
S3V01	1	20:1	0.3 to 5.0	0.01 to 0.21	1.3 to 27.0	0.02 to 0.44	1.0 to 19.0	0.04 to 0.79	39.4 to 789.0	0.7 to 13.0
S3V02	2	20:1	0.8 to 17.0	0.03 to 0.71	4.5 to 91.0	0.07 to 1.51	3.2 to 64.0	0.13 to 2.68	134.1 to 2681.0	2.2 to 45.0
S3V07	7	20:1	2.0 to 40.0	0.08 to 1.67	10.7 to 213.0	0.18 to 3.56	7.6 to 151.0	0.32 to 6.31	315.5 to 6309.0	5.3 to 105.0

Approximate output @ 50/60Hz

PUMP Build Item Number



VOLTAGE & HERTZ

120V 60Hz
230V 60Hz
230V 50Hz *International*
Contact factory for additional voltage and plug options.

AA
BA
DC

SUCTION/DISCHARGE TUBING

1/4" White
1/4" UV Black
3/8" White
3/8" UV Black
6 mm White *Europe*
O.D. does not affect output.

10
20
30
40
50

TUBE MATERIAL

Santoprene®
Versilon® (#7 not available)
Refer to Chemical Guide for material compatibility.

1
2

N INJECTION COMPONENTS

Injection Fitting 25 psi max. or Santoprene® or Pellethane®.
Duckbill Check Valve 100 psi max.
Refer to Chemical Guide for material compatibility.

Flow Rate Outputs S4V Models 25 psi (1.7 bar) max.

Pump Prefix	Pump Tube	Turndown Ratio	Gallons per Day	Gallons per Hour	Ounces per Hour	Ounces per Minute	Liters per Day	Liters per Hour	Milliliters per Hour	Milliliters per Minute
S4V5X	5X	20:1	7.5 to 150.0	0.31 to 6.25	40.0 to 800.0	0.67 to 13.33	28.4 to 568.0	1.18 to 23.66	1182.9 to 23659.0	19.7 to 394.0

Approximate output @ 50/60Hz

Flow Rate Outputs S4V Models 100 psi (6.9 bar) max.

Pump Prefix	Pump Tube	Turndown Ratio	Gallons per Day	Gallons per Hour	Ounces per Hour	Ounces per Minute	Liters per Day	Liters per Hour	Milliliters per Hour	Milliliters per Minute
S4V7X	7X	20:1	3.0 to 60.0	0.13 to 2.50	16.0 to 320.0	0.27 to 5.33	11.4 to 227.0	0.47 to 9.46	473.2 to 9464.0	7.9 to 158.0

Approximate output @ 50/60Hz

PUMP Build Item Number



VOLTAGE & HERTZ

120V 60Hz
230V 60Hz
230V 50Hz *International*
Contact factory for additional voltage and plug options.

AA
BA
DC

SUCTION/DISCHARGE TUBING

3/8" White
3/8" UV Black
O.D. does not affect output.

30
40

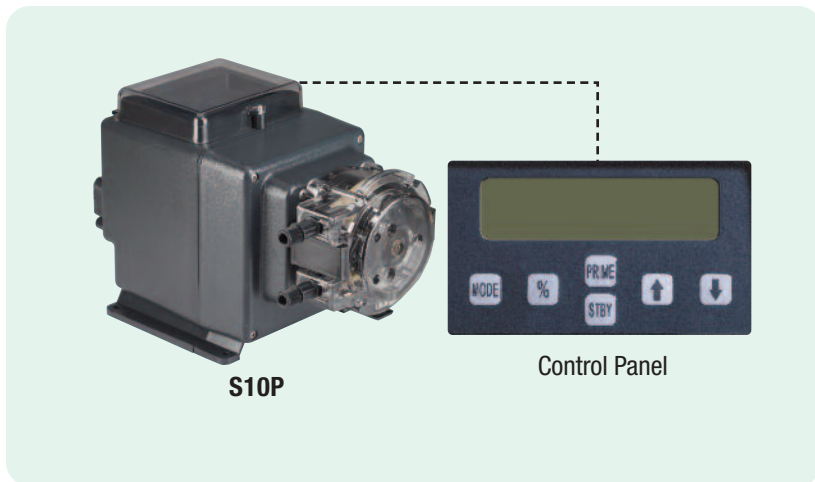
BALL CHECK VALVE SPRING, SEAT & O-RING

Tantalum spring, FKM seat & O-ring
Stainless steel spring, EPDM seat, Santoprene® O-ring
Refer to Chemical Guide for material compatibility.

1
2

1 TUBE MATERIAL Santoprene®
Refer to Chemical Guide for material compatibility.

NOTICE: The information within these charts is solely intended for use as a guide. The output data is an approximation based on pumping water under a controlled testing environment. Many variables can affect the output of the pump. Stenner Pump Company recommends that all metering pumps undergo field calibration by means of analytical testing to confirm their outputs.



S10P

Control Panel

Quick Facts

- Flow activated
- Up to 30.0 gpd @ 100 psi max., 10:1 turndown
- 4:1 turndown in 10 PPG mode
- Operating pressure to 100 psi max.
- Leak detection
- Totally enclosed housing
- Indoor/Outdoor
- Control panel with LCD display
- Tube replacement without tools
- 2 year warranty
- Advantages of Stenner peristaltic pumps on Contents page
- S10P pump prefix begins with S3P

Features

PUMP STATUS INDICATORS

Prime, Standby, Signal (excludes 10 PPG mode), Leak, Level, Change, Keypad Locked.

PERFORMANCE TIME MODES

Pump Life Hours

Registers the total run hours, not resettable.

Tube Run Hours

Total hours the tube has been in service.

Tube Change Hours

Set the desired hours for tube to run. When hours are exceeded, display flashes CHANGE, as a tube replacement reminder.

LEAK DETECTION

When a leak is detected, the pump stops and the display flashes LEAK. The dedicated relay can indicate to another device.

SIGNAL REPEATER

Dedicated relay replicates dry contact to another pump or device, for example, to link multiple pumps.

LEVEL INPUT

Utilized with a fluid level device in the solution tank. At low level, the dry contact is received on the level input, the pump stops and the display flashes LEVEL.

Modes of Operation

AUXILIARY (12-24 VAC/VDC signal)

- Runs at set speed while signal is received.
- Adjustable 10% to 100%, 1% increments.

FLOW SWITCH (dry contact)

- Runs at set speed while dry contact from 2-wire flow switch is received.
- Adjustable 10% to 100%, 1% increments.

SECONDS (dry contact)

- Runs at set amount of time for each pulse.
- Adjustable 0.1 to 60.0 seconds.

10 PPG (dry contact 10 PPG water meter)

- Runs at set flow rate output for each pulse.
- Adjustable 50% to 100%, 5% increments.
- For process flows from 0.1 to 14.0 GPM.
- Delivers steady solution distribution.

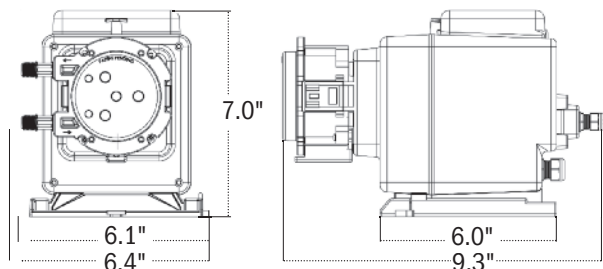
S10P SERIES

Weights and Dimensions

Shipping Weight 9 lbs (3.7 kg)

Box Dimensions 14 x 9 x 10 in. (35 x 23 x 24 cm)

Product Dimensions



Accessories Shipped with Each Pump

3 Connecting Nuts 1/4" & 3 Ferrules 1/4" or 6 mm *Europe*

1 Duckbill Check Valve

1 Weighted Suction Line Strainer 1/4" or 6 mm *Europe*

20' Suction/Discharge Tubing 1/4" white or UV black
or 20' Suction/Discharge Tubing, white, 6 mm *Europe*

1 Additional Pump Tube

2 Additional Latches

1 Mounting Bracket

1 Manual

Specifications

Flow Rate Output Control

Six button control panel with LCD display

Reproducibility ± 2

Maximum Working Pressure

100 psi (6.9 bar)

Maximum Operating Temperature

104°F (40°C)

Maximum Suction Lift

25 ft (7.6 m) vertical lift, based on water

Motor Type

Brushless DC motor

Shaft rpm (average maximum)

45

Duty Cycle

Continuous

Maximum Viscosity

1500 centipoise

Motor Voltage (Amp Draw)

120V 60Hz 1PH (0.6)

Power Cord Type

120V 60Hz SJTOWA

Power Cord Plug End

120V 60Hz 5-15P

Power Cord Length

6 ft (1.8 m)

Classification

Indoor/Outdoor

Materials of Construction

All Housings Polycarbonate

Pump Tube & Check Valve Duckbill

Santoprene® (FDA approved)

Pump Head Rollers Polyethylene

Roller Bushings Oil impregnated bronze

Suction/Discharge Tubing, Ferrules

Polyethylene (FDA approved)

Tube Fittings, Injection Fittings

PVC or Polypropylene (both NSF listed)

Connecting Nuts

PVC or Polypropylene (both NSF listed)

Suction Line Strainer and Cap

PVC or Polypropylene (both NSF listed);
ceramic weight

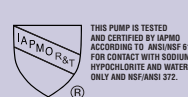
All Fasteners Stainless steel

Pump Head Latches Polypropylene

Leak Detect Components Hastelloy®

NOTE: Refer to Chemical Guide for material compatibility.

Agency Listings



Listings vary by model. 5

S10P SERIES Models

Flow Rate Outputs S10P 100 psi (6.9 bar) max.

Pump Prefix	Pump Tube	Turndown Ratio	Turndown @ 10 PPG	Gallons per Day	Gallons per Hour	Ounces per Hour	Ounces per Minute	Liters per Day	Liters per Hour	Milliliters per Hour	Milliliters per Minute
S3P01	1	10:1	4:1	5.0	0.21	27.0	0.44	19.0	0.79	789.0	13.0
S3P02	2	10:1	4:1	17.0	0.71	91.0	1.51	64.0	2.68	2681.0	45.0
S3P06	6	10:1	4:1	30.0	1.25	160.0	2.67	114.0	4.73	4732.0	79.0

Approximate max. output @ 50/60Hz

PUMP Build Item Number

Pump Prefix	A	A			1	N
-------------	---	---	--	--	---	---

SUCTION/DISCHARGE TUBING

1/4" White

1/4" UV Black

O.D. does not affect output.

10

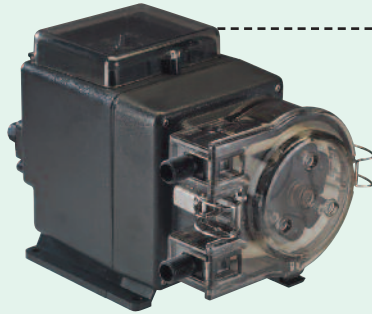
20

AA VOLTAGE & HERTZ 120V 60Hz

1 TUBE MATERIAL Santoprene®
Refer to Chemical Guide for material compatibility.

N INJECTION COMPONENT
Santoprene® Duckbill Check Valve 100 psi max.
Refer to Chemical Guide for material compatibility.

NOTICE: The information within these charts is solely intended for use as a guide. The output data is an approximation based on pumping water under a controlled testing environment. Many variables can affect the output of the pump. Stenner Pump Company recommends that all metering pumps undergo field calibration by means of analytical testing to confirm their outputs.



S128 Medicator



Control Panel

Quick Facts

- Injects 1 ounce of product into 1 gallon of water
- Up to 10.0 oz/min @ 60 psi max.
- Injects into system water flows up to 10 GPM
- 1 or 10 PPG and 1 PPL pulse settings
- Leak detection
- Built-in signal repeater
- Tube change timer
- Totally enclosed housing, NEMA 4X
- Indoor/Outdoor
- 2 year warranty
- S128 pump prefix begins with S4M

Speed Automatically Adjusts to the System Water Flow

The S128 is a peristaltic metering pump designed to proportionally inject at a 1:128 ratio of 1 ounce of product into 1 gallon of process water. Also known as a medicator, the pump has 3 speeds which automatically adjust the injection rate when the system water flow rate increases or decreases. The ability to respond to flow allows the pump to evenly distribute product into the water lines especially at low flow rates.


Activated by a dry contact pulse water meter, the pump injects into system water flow rates up to 10 gallons per minute. The flow rate output capacity is up to 10 ounces per minute with operating pressures up to 60 psi. The primary application is in livestock production such as chicken, turkey, ducks and swine.

LEAK DETECT can be set to stop the pump or let it run when a leak is detected.

TUBE TIMER can be set to a predetermined number of hours for the pump to run before the indicating it is time to replace the tube.

SIGNAL REPEATER is built-in and allows an existing water meter to register the total water volume to a controller.

Features

- Advantages of Stenner peristaltic pumps on Contents page
- Tube replacement without tools
- Flow responsive to evenly distribute product
- Proportional injection especially at low flow rates
- Remote start & stop capability using house controller
- LED pump status indicators
- Dedicated output relays
- Standby setting 
- Brushless DC motor with ball bearing support

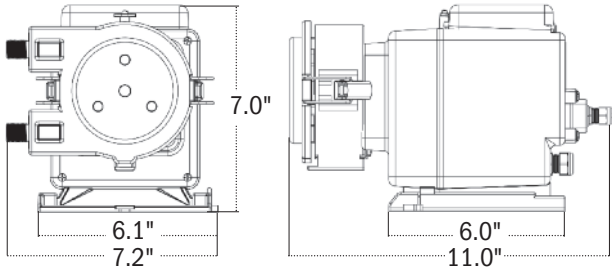
S128 SERIES

Weights and Dimensions

Shipping Weight 9 lbs (3.7 kg)

Box Dimensions 14 x 9 x 10 in. (35 x 23 x 24 cm)

Product Dimensions



Accessories Shipped with Each Pump

- 3 Connecting Nuts & 2 Adapters 3/8"
- 1 Ball Check Valve 3/8"
- 1 Weighted Suction Line Strainer 3/8"
- 20' Suction/Discharge Tubing 3/8", white or UV black
- 1 Additional Pump Tube
- 1 Mounting Bracket
- 1 Manual
- 1 Reference Poster

Specifications

Flow Rate Output Control

Fixed rate, interfaces with water meter

Reproducibility ±2

Maximum Working Pressure 60 psi (4.1 bar)

Maximum Operating Temperature 104°F (40°C)

Maximum Suction Lift 25 ft (7.6 m) vertical lift, based on water

Motor Type Brushless DC motor

Shaft rpm (average maximum) 45

Duty Cycle Continuous

Maximum Viscosity 1500 centipoise

Motor Voltage (Amp Draw) 120V 60Hz 1PH (0.6)

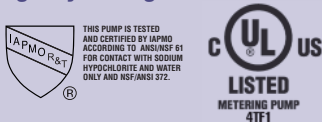
Power Cord Type 120V 60Hz SJTOWA

Power Cord Plug End 120V 60Hz 5-15P

Power Cord Length 6 ft (1.8 m)

Classification Indoor/Outdoor

Agency Listings



Listings vary by model.

Flow Rate Outputs S128 Medicator 60 psi (4.1 bar) max.

Pump Prefix	Pump Tube	Ounces per Minute	Milliliters per Minute
S4M8X	8X	10.0	295.7

Approximate max. output @ 50/60Hz

PUMP Build Item Number

S	4	M	8	X	A	A			1	
---	---	---	---	---	---	---	--	--	---	--

SUCTION/DISCHARGE TUBING

3/8" White

30

3/8" UV Black

40

O.D. does not affect output.

BALL CHECK VALVE SPRING, SEAT & O-RING

Tantalum spring, FKM seat & O-ring

1

Stainless steel spring, EPDM seat,

2

Santoprene® O-ring

Refer to Chemical Guide for material compatibility.

AA VOLTAGE & HERTZ 120V 60Hz

1 TUBE MATERIAL Santoprene®
Refer to Chemical Guide for material compatibility.

Materials of Construction

All Housings Polycarbonate

Pump Tube Santoprene® (FDA approved)

Ball Check Valve Components

- Ceramic ball (FDA approved); tantalum spring;
FKM seat & O-ring

- Ceramic ball (FDA approved); stainless steel spring;
EPDM seat & Santoprene® O-ring

Pump Head Rollers Polyethylene

Roller Bushings Oil impregnated bronze

Suction/Discharge Tubing Polyethylene (FDA approved)

Tube Fittings, Injection Fittings PVC or Polypropylene (both NSF listed)

Connecting Nuts PVC or Polypropylene (both NSF listed)

3/8" Adapter PVC or Polypropylene (both NSF listed)

Suction Line Strainer and Cap

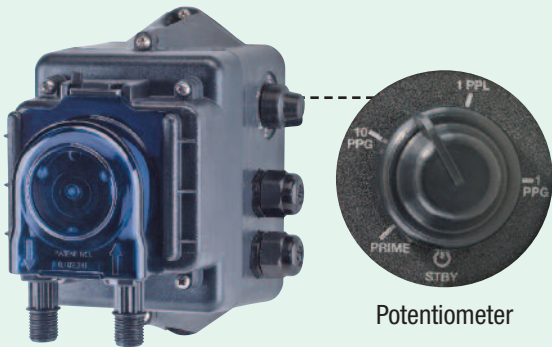
PVC or Polypropylene (both NSF listed); ceramic weight

All Fasteners Stainless steel

Pump Head Latches Stainless steel

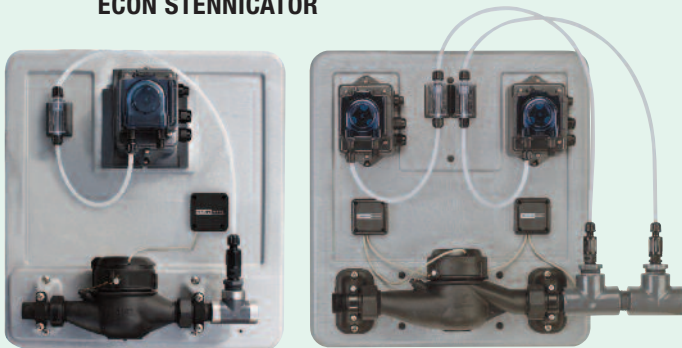
Leak Detect Components Hastelloy

NOTE: Refer to Chemical Guide for material compatibility.



ECON STENNICATOR

Potentiometer



ECON STENNICATOR Meter Systems - Single and Dual



ECON Tank System



[Watch Animated Video](#)
Econ Stennicator
on a Poultry Farm

Quick Facts

- Injects 1 ounce of product into 1 gallon of water
- Up to 2.7 oz/min @ 80 psi max.
- 1 or 10 PPG and 1 PPL pulse settings
- Built-in signal repeater
- Econ Stennicator pump prefix begins with E20M

Compact and Water Meter Activated

The Econ Stennicator injects solution at a fixed ratio of 1:128. The pulse from the water meter activates the pump at a fixed run time to deliver the proper dosage. The pump has three pulse settings, adjustable with a potentiometer, to accommodate 1 or 10 pulses per gallon or 1 pulse per liter. The pump's relay repeats the incoming meter signal to another Stennicator, controller or device. Additional features include an on/off switch, prime and a standby setting.

Not a Traditional Medicator for Livestock Water

The Stennicator, Stenner's peristaltic medicator, is not a typical 1:128 water driven proportional pump. The pump injects directly into the water line eliminating a water bypass that can restrict water flow to the drinker lines. Poor water quality, scale and solids are not harmful to the pump.

The Stennicator is compact with a small footprint and can adapt to an existing pulse water meter. If utilizing a house controller, the pump's relay allows the water meter to send the signal to the controller to register the water consumption. The pump can accurately inject or be placed in standby, without interrupting the water meter signal.

Stennicator Meter System or Tank System

For convenient and quick installations or turnkey operations, the Econ Stennicator Meter System is equipped with the pump and corresponding dry contact 3/4" or 1" water meter mounted on a heavy duty panel.

The pre-assembled Tank System is equipped with the pump mounted to a 7.5, 15 or 30 gallon capacity tank. Select UV gray for outdoor installations or translucent white.

Features

- Advantages of Stenner peristaltic pumps on Contents page
- Tube replacement without tools
- Activate multiple pumps from one meter
- No water restriction or pressure loss
- Standby setting
- Brushless motor
- Enclosed housing
- Indoor/Outdoor
- Meter System or Tank System available

ECON STENNICATOR SERIES

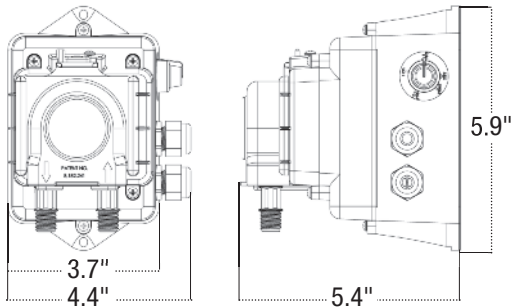
Weights and Dimensions

Pump

Shipping Weight 4 lbs (1.6 kg)

Box Dimensions 8 x 8 x 10 in. (21 x 21 x 25 cm)

Product Dimensions



Meter System

Shipping Weight

Single 17 lbs (7.7 kg)

Dual 20 lbs (9.1 kg)

Box Dimensions

8 x 8 x 10 in. (21 x 21 x 25 cm)

Accessories Shipped with Each Pump

3 Connecting Nuts & 3 Ferrules 1/4"

1 Duckbill Check Valve

1 Weighted Suction Line Strainer 1/4"

20' Suction/Discharge Tubing 1/4", white or UV black

1 Additional Pump Tube

1 Manual

Specifications

Flow Rate Output Control

On/off switch, fixed output

Reproducibility $\pm 2\%$

Maximum Working Pressure

80 psi (5.5 bar)

Maximum Operating Temperature

104°F (40°C)

Maximum Suction Lift

25 ft (7.6 m) vertical lift, based on water

Motor Type 24VDC, brushless

Shaft rpm (average maximum) 60

Duty Cycle Continuous

Maximum Viscosity 50 centipoise

Motor Voltage 120V 60Hz (0.25A);

230V 60Hz (0.17A); 24VDC (0.85A)

Power Cord Type

120V 60Hz; 230V 60Hz SJTOW;

24VDC pigtail

Power Cord Plug End

120V 60Hz NEMA 5-15P;

230V 60Hz NEMA 6-15P; 24VDC pigtail

Power Cord Length

10 ft (3.05 m) or 24VDC pigtail 1 ft (30.5 cm)

Classification Indoor/Outdoor

Materials of Construction

All Housings Polycarbonate

Pump Tube & Check Valve Duckbill

Santoprene® (FDA approved)

Pump Head Rollers Polyethylene

Suction/Discharge Tubing, Ferrules

Polyethylene (FDA approved)

Tube and Injection Fittings

PVC or Polypropylene (both NSF listed)

Connecting Nuts

PVC or Polypropylene (both NSF listed)

Suction Line Strainer and Cap

PVC or Polypropylene (both NSF listed);

ceramic weight

All Fasteners Stainless steel

NOTE: Refer to Chemical Guide for material compatibility.

Agency Listings



Listings vary by model. 24VDC pumps do not carry any agency listings.

ECON STENNICATOR SERIES Models

Flow Rate Outputs ECON STENNICATOR 80 psi (5.5 bar) max.

Pump Prefix	Pump Tube	Roller Assembly	Ounces per Minute	Milliliters per Minute
E20MH	H	Black	2.7	74.0
Approximate max. output @ 50/60Hz				

PUMP Build Item Number



VOLTAGE & HERTZ

120V 60Hz; 10' cord **8**
 230V 60Hz; 6' cord **B**
 24VDC; 1' cord **5**

S TUBE MATERIAL Santoprene®
 Refer to Chemical Guide for material compatibility.

SUCTION/DISCHARGE TUBING

1/4" White **1**
 1/4" UV Black **2**
 O.D. does not affect output.

TANK SYSTEM Build Item Number



TANK

7.5-Gallon UV Gray **S7G**
 7.5-Gallon White **S7N**
 15-Gallon UV Gray **S1G**
 15-Gallon White **S1N**
 30-Gallon UV Gray **S3G**
 30-Gallon White **S3N**

VOLTAGE & HERTZ

120V 60Hz; 10' cord **8**
 230V 60Hz; 6' cord **B**

1 SUCTION/DISCHARGE TUBING 1/4" White
 O.D. does not affect output.

S TUBE MATERIAL Santoprene®
 Refer to Chemical Guide for material compatibility.

METER SYSTEM Build Item Number



SYSTEM

Single **S**
 Dual **D**

VOLTAGE & HERTZ

120V 60Hz; 10' cord **8**
 230V 60Hz; 6' cord **B**

WATER METER

3/4" 1 pulse/gallon **341**
 3/4" 10 pulses/gallon **340**
 3/4" 1 pulse/liter **34L**
 1" 1 pulse/gallon **011**
 1" 10 pulses/gallon **010**
 1" 1 pulse/liter **01L**

1 SUCTION/DISCHARGE TUBING 1/4" White
 O.D. does not affect output.

S TUBE MATERIAL Santoprene®
 Refer to Chemical Guide for material compatibility.

NOTICE: The information within this chart is solely intended for use as a guide. The output data is an approximation based on pumping water under a controlled testing environment. Many variables can affect the output of the pump. Stenner Pump Company recommends that all metering pumps undergo field calibration by means of analytical testing to confirm their outputs.



ECON INTEGRATOR™



Control Panel



ECON INTEGRATOR™ Meter System



ECON Tank System

Quick Facts

- Flow activated with internal repeater relay
- Up to 30.0 gpd @ 80 psi max.
- 10:1 turndown, 1% increments
- Digital keypad with LCD display
- Econ Integrator™ pump prefix begins with E10R or E20R

Proportional Pump with Repeater Relay

The Econ Integrator™ is a flow activated peristaltic pump featuring three operational modes and a repeater relay. The relay provides a dry contact output signal replicating the signal the pump receives. The signal output can control another device that accepts a dry contact signal such as another Econ Integrator™. Multiple pumps can be activated by one water meter. The relay is operable in the Seconds or Flow Switch mode.

In livestock operations, the relay is especially useful when an existing water meter is utilized to tally water consumption to a controller. The relay allows the meter to send a signal to the pump and to the controller; eliminating the need for another meter. The signal can be sent if the pump is operating or in standby.

Three Operating Modes

SECONDS The pump can accept a dry (non-voltage) contact signal and will run for a set **time** in response to receiving the signal. There are five pump operating time ranges; the maximum time is displayed on the control panel. The run time is adjustable from 10% to 100% in 1% increments.

1 second = 0.1-1.0 5 seconds = 0.5-5.0 10 seconds = 1.0-10.0
 20 seconds = 2.0-20.0 60 seconds = 6.0-60.0

FLOW SWITCH The pump can accept a dry (non-voltage) contact signal from a 2-wire flow switch and will run at the set **speed** as long as it receives the dry contact. The pump speed is adjustable from 10% to 100% in 1% increments.

AUXILIARY The pump can accept a 12-24 VAC/VDC signal from control equipment that responds to flow and will run at a set **speed** for as long as it receives the signal. The pump speed is adjustable from 10% to 100% in 1% increments. The repeater relay does not work with a 12-24 VAC/VDC signal.

Econ Integrator™ Meter System or Tank System

For convenient and quick installations or turnkey operations, the Econ Integrator™ Meter System is equipped with the pump and corresponding dry contact 3/4" or 1" water meter mounted on a heavy duty panel.

The pre-assembled Tank System is equipped with the pump mounted to a 7.5, 15 or 30 gallon capacity tank. Select UV gray for outdoor installations or translucent white.

Features

- Advantages of Stenner peristaltic pumps on Contents page
- Tube replacement without tools
- Patented quick release pump head
- Enclosed housing
- Indoor/Outdoor
- Optional mounting accessories available
- Meter System or Tank System available

ECON INTEGRATOR™ SERIES

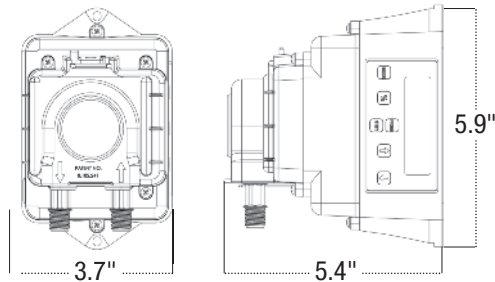
Weights and Dimensions

Pump

Shipping Weight 4 lbs (1.8 kg)

Box Dimensions 8 x 8 x 10 in. (21 x 21 x 25 cm)

Product Dimensions



Meter System

Shipping Weight 17 lbs (7.7 kg)

Box Dimensions 24 x 23 x 12 in. (61 x 58 x 30 cm)

Accessories Shipped with Each Pump

- 3 Connecting Nuts 1/4" & 3 Ferrules 1/4"
- 1 Duckbill Check Valve
- 1 Weighted Suction Line Strainer 1/4"
- 20' Suction/Discharge Tubing 1/4", white or UV black
- 1 Additional Pump Tube
- 1 Manual

Specifications

Flow Rate Output Control

Six button control panel with LCD display

Reproducibility $\pm 2\%$

Maximum Working Pressure 80 psi (5.5 bar)

Maximum Operating Temperature 104°F (40°C)

Maximum Suction Lift

25 ft (7.6 m) vertical lift, based on water

Motor Type 24VDC, brushless

Shaft rpm (average maximum) 60

Duty Cycle Continuous

Maximum Viscosity 100 centipoise

Motor Voltage 120V 60Hz (0.25A);
230V 60Hz (0.17A); 24VDC (0.85A)

Power Cord Type

120V 60Hz; 230V 60Hz SJTOW; 24VDC pigtail

Power Cord Plug End 120V 60Hz NEMA 5-15P;
230V 60Hz NEMA 6-15P; 24VDC pigtail

Power Cord Length

6 ft (1.8 m); 10 ft (3.05 m); 24VDC pigtail 1 ft (30.5 cm)

Classification Indoor/Outdoor

Materials of Construction

All Housings Polycarbonate

Pump Tube & Check Valve Duckbill

Santoprene® (FDA approved)

Pump Head Rollers Polyethylene

Suction/Discharge Tubing, Ferrules

Polyethylene (FDA approved)

Tube and Injection Fittings

PVC or Polypropylene (both NSF listed)

Connecting Nuts

PVC or Polypropylene (both NSF listed)

Suction Line Strainer and Cap

PVC or Polypropylene (both NSF listed); ceramic weight

All Fasteners Stainless steel

NOTE: Refer to Chemical Guide for material compatibility.

Agency Listings



Listings vary by model. 24VDC pumps do not carry any agency listings.

ECON INTEGRATOR™ SERIES Models

Flow Rate Outputs ECON INTEGRATOR™ 80 psi (5.5 bar) max.

Pump Prefix	Pump Tube	Roller Assembly	Turndown Ratio	Gallons per Day	Gallons per Hour	Ounces per Hour	Ounces per Minute	Liters per Day	Liters per Hour	Milliliters per Hour	Milliliters per Minute
E10RLM	M	White	10:1	0.49	0.02	2.6	0.04	1.84	0.08	76.7	1.3
E10RHM	M	White	10:1	0.83	0.03	4.4	0.07	3.14	0.13	130.8	2.2
E20RHM	M	White	10:1	1.41	0.06	7.5	0.13	5.36	0.22	223.2	3.7
E20RHF	F	White	10:1	4.5	0.19	24.0	0.40	17.01	0.71	708.8	11.8
E20RHG	G	Black	10:1	16.0	0.67	85.3	1.42	60.48	2.52	2520.0	42.0
E20RHH	H	Black	10:1	30.0	1.25	160.0	2.67	113.40	4.73	4725.0	78.8

Approximate max. output @ 50/60Hz

PUMP Build Item Number



VOLTAGE & HERTZ

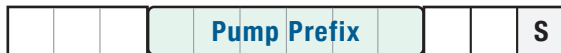
- 120V 60Hz; 6' cord **7**
- 120V 60Hz; 10' cord **8**
- 230V 60Hz; 6' cord **B**
- 24VDC; 1' cord **5**

S TUBE MATERIAL Santoprene®
Refer to Chemical Guide for material compatibility.

SUCTION/DISCHARGE TUBING

- 1/4" White **1**
 - 1/4" UV Black **2**
- O.D. does not affect output.

TANK SYSTEM Build Item Number



TANK

- 7.5-Gallon UV Gray **S7G**
- 7.5-Gallon White **S7N**
- 15-Gallon UV Gray **S1G**
- 15-Gallon White **S1N**
- 30-Gallon UV Gray **S3G**
- 30-Gallon White **S3N**

VOLTAGE & HERTZ

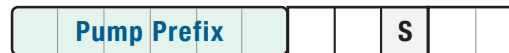
- 120V 60Hz; 6' cord **7**
- 120V 60Hz; 10' cord **8**
- 230V 60Hz; 6' cord **B**

SUCTION/DISCHARGE TUBING

- 1/4" White **1**
 - 1/4" UV Black **2**
- O.D. does not affect output.

S TUBE MATERIAL Santoprene®
Refer to Chemical Guide for material compatibility.

METER SYSTEM Build Item Number



VOLTAGE & HERTZ

- 120V 60Hz; 6' cord **7**
- 120V 60Hz; 10' cord **8**
- 230V 60Hz; 6' cord **B**

SUCTION/DISCHARGE TUBING

- 1/4" White **1**
 - 1/4" UV Black **2**
- O.D. does not affect output.

WATER METER

- 3/4" 1 pulse/gallon **71**
- 3/4" 2 pulses/gallon **72**
- 3/4" 4 pulses/gallon **74**
- 1" 1 pulse/gallon **11**
- 1" 2 pulses/gallon **12**
- 1" 4 pulses/gallon **14**

S TUBE MATERIAL Santoprene®
Refer to Chemical Guide for material compatibility.

NOTICE: The information within this chart is solely intended for use as a guide. The output data is an approximation based on pumping water under a controlled testing environment. Many variables can affect the output of the pump. Stenner Pump Company recommends that all metering pumps undergo field calibration by means of analytical testing to confirm their outputs.



ECON LD



Potentiometer



ECON Tank System

Quick Facts

- Up to 50.7 oz/hr @ 80 psi max.
- Injects accurately as low as 0.04 oz/hr
- Adjustable potentiometer
- 50:1 turndown
- Econ LD pump prefix begins with E10L

Features

- Advantages of Stenner peristaltic pumps on Contents page
- Patented quick release pump head
- Tube replacement without tools
- Brushless motor
- Enclosed housing
- Indoor/Outdoor
- Optional mounting accessories available
- Tank System ships pre-assembled

Accurate Low Volume Metering

The Econ LD is a reliable, compact variable speed peristaltic pump for precise injection as low as 0.04 oz/hr (1.3 mL/hr).

The design includes microprocessor technology, potentiometer, on/off setting and a totally enclosed housing. The flow rate outputs have a 50:1 turndown and are adjusted by the potentiometer.

Ideal for pumping flocculants, coagulants, anti-scalant, sanitizers and a variety of solutions.

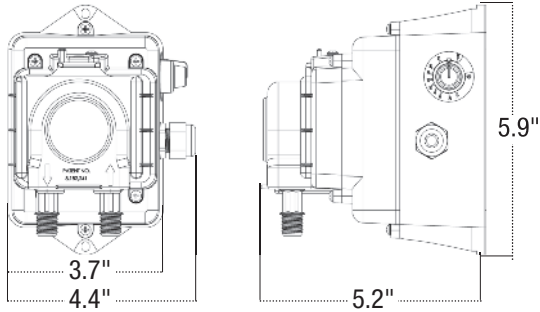
ECON LD SERIES

Weights and Dimensions

Shipping Weight 4 lbs (1.6 kg)

Box Dimensions 8 x 8 x 10 in. (21 x 21 x 25 cm)

Product Dimensions



Accessories Shipped with Each Pump

3 Connecting Nuts 1/4" & 3 Ferrules 1/4" or 6 mm *Europe*

1 Duckbill Check Valve

1 Weighted Suction Line Strainer 1/4" or 6 mm *Europe*

20' Suction/Discharge Tubing 1/4", white or UV black
or 20' Suction/Discharge, white, 6 mm *Europe*

1 Additional Pump Tube

1 Manual

Specifications

Flow Rate Output Control Potentiometer, 50:1 Turndown

Reproducibility $\pm 2\%$

Maximum Working Pressure 80 psi (5.5 bar)

Maximum Operating Temperature 104°F (40°C)

Maximum Suction Lift 25 ft (7.6 m) vertical lift, based on water

Motor Type 24VDC, brushless

Shaft rpm (average maximum) 17

Duty Cycle Continuous

Maximum Viscosity 50 centipoise

Motor Voltage

120V 60Hz (0.25A); 230V 60Hz (0.17A);

230V 50Hz (10W); 24VDC (0.5A)

Power Cord Type

120V 60Hz; 230V 60Hz SJTOW;

230V 50Hz H05RN-F; 24VDC pigtail

Power Cord Plug End

120V 60Hz NEMA 5-15P; 230V 60Hz NEMA 6-15P;

230V 50Hz CEE7/7; 24VDC pigtail

Power Cord Length 6 ft (1.8 m) or 24VDC pigtail 1 ft (30.5 cm)

Classification Indoor/Outdoor

Materials of Construction

All Housings Polycarbonate

Pump Tube & Check Valve Duckbill Santoprene® (FDA approved)

Pump Head Rollers Polyethylene

Suction/Discharge Tubing, Ferrules Polyethylene (FDA approved)

Tube and Injection Fittings PVC or Polypropylene (both NSF listed)

Connecting Nuts PVC or Polypropylene (both NSF listed)

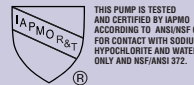
Suction Line Strainer and Cap

PVC or Polypropylene (both NSF listed); ceramic weight

All Fasteners Stainless steel

NOTE: Refer to Chemical Guide for material compatibility

Agency Listings



THIS PUMP IS TESTED AND CERTIFIED BY IAPMO ACCORDING TO ANSI/NSF 61 FOR CONTACT WITH SODIUM HYPOCHLORITE AND WATER ONLY AND NSF/ANSI 372.



IP44

ECON LD SERIES Models

Flow Rate Outputs ECON LD 80 psi (5.5 bar) max.

Pump Prefix	Pump Tube	Roller Assembly	Turndown Ratio	Ounces per Hour	Milliliters per Hour
E10LHM	M	White	50:1	0.04 to 2.4	1.3 to 70.0
E10LHF	F	White	50:1	0.11 to 8.1	3.2 to 240.0
E10LHG	G	Black	50:1	0.50 to 25.1	14.8 to 742.3
E10LHH	H	Black	50:1	1.01 to 50.7	29.7 to 1499.4

Approximate output @ 50/60Hz

PUMP Build Item Number

Pump Prefix			S
-------------	--	--	---

VOLTAGE & HERTZ

120V 60Hz
 230V 60Hz
 24VDC
 230V 50Hz *International*
 Contact factory for additional
 voltage and plug options.

A
B
5
C

SUCTION/DISCHARGE TUBING

1/4" White
 1/4" UV Black
 6 mm White *Europe*
 O.D. does not affect output.

1
2
5

S TUBE MATERIAL Santoprene®
 Refer to Chemical Guide for material compatibility.

TANK SYSTEM Build Item Number

	Pump Prefix		S
--	-------------	--	---

TANK

7.5-Gallon UV Gray **S7G**
 7.5-Gallon White **S7N**
 15-Gallon UV Gray **S1G**
 15-Gallon White **S1N**
 30-Gallon UV Gray **S3G**
 30-Gallon White **S3N**

VOLTAGE & HERTZ

120V 60Hz
 230V 60Hz
 230V 50Hz *International*
 Contact factory for additional
 voltage and plug options.

A
B
C

SUCTION/DISCHARGE TUBING

1/4" White
 1/4" UV Black
 6 mm White *Europe*
 O.D. does not affect output.

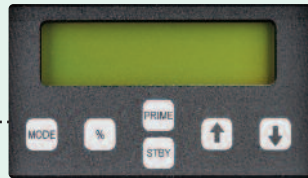
1
2
5

S TUBE MATERIAL Santoprene®
 Refer to Chemical Guide for material compatibility.

NOTICE: The information within this chart is solely intended for use as a guide. The output data is an approximation based on pumping water under a controlled testing environment. Many variables can affect the output of the pump. Stenner Pump Company recommends that all metering pumps undergo field calibration by means of analytical testing to confirm their outputs.



ECON FP



Control Panel



ECON FP Meter System



ECON Tank System

Quick Facts

- Flow activated
- Up to 30.0 gpd @ 80 psi max.
- Digital keypad with LCD display
- 10:1 turndown, 1% increments
- Econ FP pump prefix begins with E10P or E20P

Flow Activated

The Econ FP is a flow activated peristaltic pump with three modes of operation. Based on the mode of operation selected, the pump runs at a set time or a set speed in response to receiving a signal. The control panel displays one of three operating modes: Seconds, Flow Switch or Auxiliary. The pump is designed for light duty applications such as drinking water disinfection or pH adjustment for private water wells in homes or farms.

Econ FP Meter System or Tank System

For convenient and quick installations or turnkey operations, the Econ FP Meter System is equipped with the pump and corresponding dry contact 3/4" or 1" water meter mounted on a heavy duty panel.

The pre-assembled Tank System is equipped with the pump mounted to a 7.5, 15 or 30 gallon capacity tank. Select UV gray for outdoor installations or translucent white.

Three Operating Modes

SECONDS The pump can accept a dry (non-voltage) contact signal and will run for a set **time** in response to receiving the signal. There are five pump operating time ranges; the maximum time is displayed on the control panel. The run time is adjustable from 10% to 100% in 1% increments.

1 second = 0.1-1.0 5 seconds = 0.5-5.0 10 seconds = 1.0-10.0
 20 seconds = 2.0-20.0 60 seconds = 6.0-60.0

FLOW SWITCH The pump can accept a dry (non-voltage) contact signal from a 2 wire flow switch and will run at the set **speed** as long as it receives the dry contact. The pump speed is adjustable from 10% to 100% in 1% increments.

AUXILIARY The pump can accept a 12-24 VAC/VDC signal from control equipment that responds to flow and will run at a set **speed** for as long as it receives the signal. The pump speed is adjustable from 10% to 100% in 1% increments.

Features

- Advantages of Stenner peristaltic pumps on Contents page
- Patented quick release pump head
- Tube replacement without tools
- Enclosed housing
- Indoor/Outdoor
- Optional mounting accessories available
- Meter System or Tank System available

ECON FP SERIES

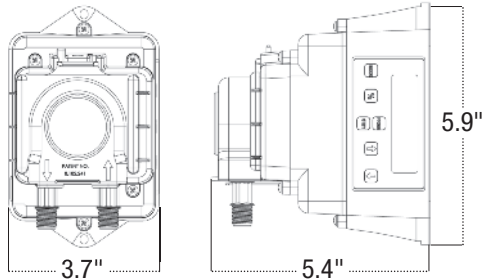
Weights and Dimensions

Pump

Shipping Weight 4 lbs (1.7 kg)

Box Dimensions 8 X 8 x 10 in. (21 x 21 x 25 cm)

Product Dimensions



Meter System

Shipping Weight 17 lbs (7.7 kg)

Box Dimensions 24 x 23 x 12 in. (61 x 58 x 30 cm)

Accessories Shipped with Each Pump

3 Connecting Nuts 1/4" & 3 Ferrules 1/4" or 6 mm *Europe*

1 Duckbill Check Valve

1 Weighted Suction Line Strainer 1/4" or 6 mm *Europe*

20' Suction/Discharge Tubing 1/4", white or UV black
or 20' Suction/Discharge, white, 6 mm *Europe*

1 Additional Pump Tube

1 Manual

Specifications

Flow Rate Output Control

Six button control panel with LCD display

Reproducibility $\pm 2\%$

Maximum Working Pressure 80 psi (5.5 bar)

Maximum Operating Temperature 104°F (40°C)

Maximum Suction Lift

25 ft (7.6 m) vertical lift, based on water

Motor Type 24VDC, brushless

Shaft rpm (average maximum) 60

Duty Cycle Continuous

Maximum Viscosity 100 centipoise

Motor Voltage

120V 60Hz (0.25A); 230V 60Hz (0.17A);

230V 50Hz (10W); 24VDC (0.85A)

Power Cord Type

120V 60Hz; 230V 60Hz SJTOW;

230V 50Hz H05RN-F; 24VDC pigtail

Power Cord Plug End

120V 60Hz NEMA 5-15P; 230V 60Hz NEMA 6-15P;

230V 50Hz CEE7/7; 24VDC pigtail

Power Cord Length

6 ft (1.8 m); 10 ft (3.05 m);

24VDC pigtail 1 ft (30.5 cm)

Classification Indoor/Outdoor

Materials of Construction

All Housings Polycarbonate

Pump Tube & Check Valve Duckbill

Santoprene® (FDA approved)

Pump Head Rollers Polyethylene

Suction/Discharge Tubing, Ferrules

Polyethylene (FDA approved)

Tube and Injection Fittings

PVC or Polypropylene (both NSF listed)

Connecting Nuts

PVC or Polypropylene (both NSF listed)

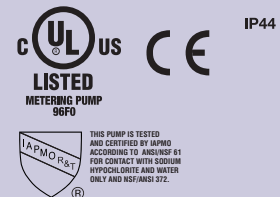
Suction Line Strainer and Cap

PVC or Polypropylene (both NSF listed);
ceramic weight

All Fasteners Stainless steel

NOTE: Refer to Chemical Guide for material compatibility.

Agency Listings



Listings vary by model. 24VDC pumps do not carry any agency listings.

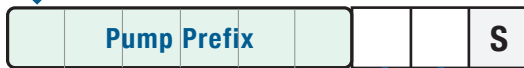
ECON FP SERIES Models

Flow Rate Outputs ECON FP 80 psi (5.5 bar) max.

Pump Prefix	Pump Tube	Roller Assembly	Turndown Ratio	Gallons per Day	Gallons per Hour	Ounces per Hour	Ounces per Minute	Liters per Day	Liters per Hour	Milliliters per Hour	Milliliters per Minute
E10PLM	M	White	10:1	0.49	0.02	2.6	0.04	1.84	0.08	76.7	1.3
E10PHM	M	White	10:1	0.83	0.03	4.4	0.07	3.14	0.13	130.8	2.2
E20PHM	M	White	10:1	1.41	0.06	7.5	0.13	5.36	0.22	223.2	3.7
E20PHF	F	White	10:1	4.5	0.19	24.0	0.40	17.01	0.71	708.8	11.8
E20PHG	G	Black	10:1	16.0	0.67	85.3	1.42	60.48	2.52	2520.0	42.0
E20PHH	H	Black	10:1	30.0	1.25	160.0	2.67	113.40	4.73	4725.0	78.8

Approximate max. output @ 50/60Hz

PUMP Build Item Number



VOLTAGE & HERTZ

- 120V 60Hz; 6' cord **7**
- 120V 60Hz; 10' cord **8**
- 230V 60Hz; 6' cord **B**
- 24VDC; 1' cord **5**
- 230V 50Hz; 6' cord *International* **9**

SUCTION/DISCHARGE TUBING

- 1/4" White **1**
 - 1/4" UV Black **2**
 - 6 mm White *Europe* **5**
- O.D. does not affect output.

S TUBE MATERIAL Santoprene®
Refer to Chemical Guide for material compatibility.

TANK SYSTEM Build Item Number



- #### TANK
- 7.5-Gallon UV Gray **S7G**
 - 7.5-Gallon White **S7N**
 - 15-Gallon UV Gray **S1G**
 - 15-Gallon White **S1N**
 - 30-Gallon UV Gray **S3G**
 - 30-Gallon White **S3N**

VOLTAGE & HERTZ

- 120V 60Hz; 6' cord **7**
- 120V 60Hz; 10' cord **8**
- 230V 60Hz; 6' cord **B**
- 230V 50Hz; 6' cord *International* **9**

SUCTION/DISCHARGE TUBING

- 1/4" White **1**
 - 1/4" UV Black **2**
 - 6 mm White *Europe* **5**
- O.D. does not affect output.

S TUBE MATERIAL Santoprene®
Refer to Chemical Guide for material compatibility.

METER SYSTEM Build Item Number



VOLTAGE & HERTZ

- 120V 60Hz; 6' cord **7**
- 120V 60Hz; 10' cord **8**
- 230V 60Hz; 6' cord **B**
- 230V 50Hz; 6' cord *International* **9**

SUCTION/DISCHARGE TUBING

- 1/4" White **1**
 - 1/4" UV Black **2**
 - 6 mm White *Europe* **5**
- O.D. does not affect output.

WATER METER

- 3/4" 1 pulse/gallon **71**
- 3/4" 2 pulses/gallon **72**
- 3/4" 4 pulses/gallon **74**
- 1" 1 pulse/gallon **11**
- 1" 2 pulses/gallon **12**
- 1" 4 pulses/gallon **14**

S TUBE MATERIAL Santoprene®
Refer to Chemical Guide for material compatibility.

NOTICE: The information within this chart is solely intended for use as a guide. The output data is an approximation based on pumping water under a controlled testing environment. Many variables can affect the output of the pump. Stenner Pump Company recommends that all metering pumps undergo field calibration by means of analytical testing to confirm their outputs.



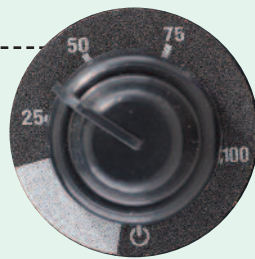
ECON FX



ECON Tank System



ECON VX



Potentiometer

Quick Facts

ECON FX

- No adjustment
- Up to 2.09 oz/min @ 80 psi max.
Up to 3.45 oz/min @ 25 psi max.
- Econ FX pump prefix begins with E10FX or E20FX

ECON VX

- Adjustable potentiometer
- Up to 2.09 oz/min @ 80 psi max.
Up to 3.45 oz/min @ 25 psi max.
- Econ VX pump prefix begins with E10VX or E20VX

Features

- Advantages of Stenner peristaltic pumps on Contents page
- Patented quick release pump head
- Tube replacement without tools
- Enclosed housing
- Indoor/Outdoor
- Optional mounting accessories
- Tank System ships pre-assembled

Reliable Accurate Metering

Both the Econ VX and FX are peristaltic pumps designed with a totally enclosed brushed motor for light duty or general intermittent applications.

The pumps are wall mountable or select one of the optional mounting accessories. The Econ VX or FX is offered as a Tank System; the pump is shipped pre-mounted to a 7.5, 15 or 30 gallon solution tank. The pumps are cULus for indoor and outdoor use; CE IP44 is also available.

The pumps work well for fluid transfer, sampling or injecting a variety of solutions for swimming pools, food & beverage, metal finishing, irrigation and horticulture and more.

ECON FX and ECON VX SERIES

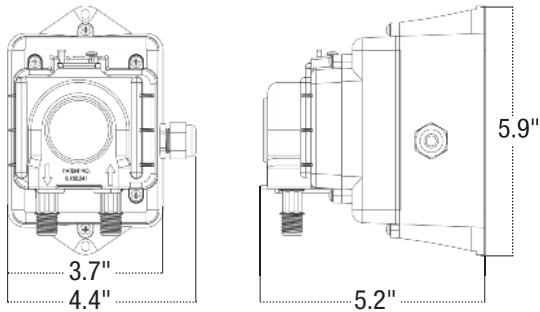
Weights and Dimensions

ECON FX Models

Shipping Weight 3 lbs (1.4 kg)

Box Dimensions 8 x 8 x 10 in. (21 x 21 x 25 cm)

Product Dimensions

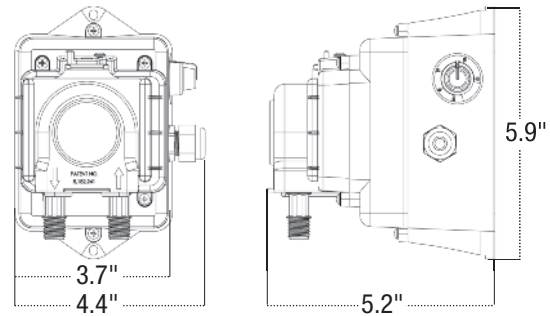


ECON VX Models

Shipping Weight 4 lbs (1.5 kg)

Box Dimensions 8 x 8 x 10 in. (21 x 21 x 25 cm)

Product Dimensions



Accessories Shipped with Each Pump

3 Connecting Nuts 1/4" & 3 Ferrules 1/4" or 6 mm *Europe*

1 Injection Fitting 25 psi (1.7 bar) max.

or 1 Duckbill Check Valve 80 psi (5.5 bar) max.

1 Weighted Suction Line Strainer 1/4" or 6 mm *Europe*

20' Suction/Discharge Tubing 1/4", white or UV black

or 20' Suction/Discharge, white, 6 mm *Europe*

1 Additional Pump Tube

1 Manual

Specifications

Flow Rate Output Control

ECON FX Fixed speed, no adjustment

ECON VX Adjustable potentiometer

Reproducibility ±5%

Maximum Working Pressure 80 psi (5.5 bar), 25 psi (1.7 bar)

Maximum Operating Temperature 104°F (40°C)

Maximum Suction Lift 25 ft (7.6 m) vertical lift, based on water

Motor Type 24VDC, brushed

Shaft rpm (average maximum) 26 or 44

Duty Cycle Continuous

Maximum Viscosity 100 centipoise

Motor Voltage 120V 60Hz (0.25A); 230V 60Hz (0.17A);

230V 50Hz (10W); 24VDC (0.5A)

Power Cord Type 120V 60Hz; 230V 60Hz SJTOW;

230V 50Hz H05RN-F; 24VDC pigtail

Power Cord Plug End 120V 60Hz NEMA 5-15P;

230V 60Hz NEMA 6-15P; 230V 50Hz CEE7/7; 24VDC pigtail

Power Cord Length 6 ft (1.8 m) or 24VDC pigtail 1 ft (30.5 cm)

Classification Indoor/Outdoor

Materials of Construction

All Housings Polycarbonate

Pump Tube & Check Valve Duckbill Santoprene® (FDA approved)

Pump Head Rollers Polyethylene

Suction/Discharge Tubing, Ferrules Polyethylene (FDA approved)

Tube and Injection Fittings PVC or Polypropylene (both NSF listed)

Connecting Nuts PVC or Polypropylene (both NSF listed)

Suction Line Strainer and Cap

PVC or Polypropylene (both NSF listed); ceramic weight

All Fasteners Stainless steel

NOTE: Refer to Chemical Guide for material compatibility.

Agency Listings



Listings vary by model. 24VDC pumps do not carry any agency listings.

ECON FX and ECON VX SERIES Fixed and Variable Models

Flow Rate Outputs ECON FX Fixed Speed

Pump Prefix	Pressure max. psi	Pump Tube	Roller Assembly	Gallons per Day	Gallons per Hour	Ounces per Hour	Ounces per Minute	Liters per Day	Liters per Hour	Milliliters per Hour	Milliliters per Minute	Pressure max. bar
E10FXA	25	A	White	7.4	0.31	39.5	0.66	28.0	1.17	1166.7	19.44	1.7
E10FXB	25	B	White	14.0	0.58	74.7	1.24	52.9	2.20	2204.2	36.74	1.7
E20FXB	25	B	White	24.8	1.03	132.3	2.20	93.7	3.90	3904.2	65.07	1.7
E20FXC	25	C	White	38.8	1.62	206.9	3.45	146.7	6.11	6112.5	101.88	1.7
E10FXH	80	H	Black	14.0	0.58	74.7	1.24	52.9	2.20	2204.2	36.74	5.5
E20FXH	80	H	Black	23.5	0.98	125.3	2.09	88.8	3.70	3700.0	61.67	5.5

Approximate output @ 50/60Hz

Flow Rate Outputs ECON VX Variable Speed

Pump Prefix	Pressure max. psi	Pump Tube	Roller Assembly	Gallons per Day	Gallons per Hour	Ounces per Hour	Ounces per Minute	Liters per Day	Liters per Hour	Milliliters per Hour	Milliliters per Minute	Pressure max. bar
E10VXA	25	A	White	0.8 to 7.4	0.03 to 0.31	0.4 to 39.5	0.01 to 0.66	3.0 to 28.0	0.13 to 1.17	125.0 to 1166.7	2.08 to 19.44	1.7
E10VXB	25	B	White	1.2 to 14.0	0.05 to 0.58	6.4 to 74.7	0.11 to 1.24	4.5 to 52.9	0.19 to 2.20	188.0 to 2204.2	3.13 to 36.74	1.7
E20VXB	25	B	White	1.6 to 24.8	0.07 to 1.03	8.6 to 132.3	0.14 to 2.20	6.0 to 93.7	0.25 to 3.90	250.0 to 3904.2	4.17 to 65.07	1.7
E20VXC	25	C	White	4.4 to 38.8	0.18 to 1.62	23.4 to 206.9	0.39 to 3.45	16.6 to 146.7	0.69 to 6.11	692.0 to 6112.5	11.53 to 101.88	1.7
E10VXH	80	H	Black	1.7 to 14.0	0.07 to 0.58	9.1 to 74.7	0.15 to 1.24	6.4 to 52.9	0.27 to 2.20	267.0 to 2204.2	4.45 to 36.74	5.5
E20VXH	80	H	Black	2.7 to 23.5	0.11 to 0.98	14.5 to 125.3	0.24 to 2.09	10.2 to 88.8	0.43 to 3.70	425.0 to 3700.0	7.08 to 61.67	5.5

Approximate output @ 50/60Hz

PUMP Build Item Number



VOLTAGE & HERTZ

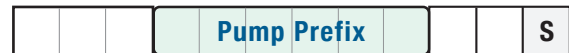
120V 60Hz **A**
 230V 60Hz **B**
 24VDC **5**
 230V 50Hz *International* **C**
 Contact factory for additional voltage and plug options.

SUCTION/DISCHARGE TUBING

1/4" White **1**
 1/4" UV Black **2**
 6 mm White *Europe* **5**
 O.D. does not affect output.

S TUBE MATERIAL Santoprene®
 Refer to Chemical Guide for material compatibility.

TANK SYSTEM Build Item Number



TANK

7.5-Gallon UV Gray **S7G**
 7.5-Gallon White **S7N**
 15-Gallon UV Gray **S1G**
 15-Gallon White **S1N**
 30-Gallon UV Gray **S3G**
 30-Gallon White **S3N**

VOLTAGE & HERTZ

120V 60Hz **A**
 230V 60Hz **B**
 230V 50Hz *International* **C**
 Contact factory for additional voltage and plug options.

SUCTION/DISCHARGE TUBING

1/4" White **1**
 1/4" UV Black **2**
 6 mm White *Europe* **5**
 O.D. does not affect output.

S TUBE MATERIAL Santoprene®
 Refer to Chemical Guide for material compatibility.

NOTICE: The information within this chart is solely intended for use as a guide. The output data is an approximation based on pumping water under a controlled testing environment. Many variables can affect the output of the pump. Stenner Pump Company recommends that all metering pumps undergo field calibration by means of analytical testing to confirm their outputs.



ECON T



ECON T TANK SYSTEM

Features

- Programmable timed injection
- Digital control pad with LCD display
- 24-hour clock
- Enclosed housing
- Wall mountable
- Patented quick release pump head
- Tube replacement without tools
- Advantages of Stenner peristaltic pumps on Contents page

Automatic Dosing Control for Timed Applications



The Econ T and TD pumps provide automatic injection and offer flexibility to program a customized dosing schedule for light duty applications. Program up to 24 independent On and Off events within a 7 day period. Each event can be set for a specific On and Off time for each selected day or days of the

week. The timer is programmed in hour and minutes increments. A battery is included as backup to power loss to maintain the time and programmed events.

Quick Facts

ECON T

- Up to 1.92 oz/min @ 80 psi max.
Up to 1.33 oz/min @ 25 psi max.
- Indoor/Outdoor
- Santoprene® pump tube
- Optional mounting accessories
- Tank System ships pre-assembled
- Econ T pump prefix begins with E10T or E20T

ECON TD

- Up to 3.18 oz/min @ 5 psi max.
- FKM pump tube for d-Limonene
- Indoor
- Optional mounting accessories
- Econ TD pump prefix begins with E20T_C3

ECON TD Battery-Powered

- Up to 4.0 oz/min @ 5 psi max.
- FKM pump tube for d-Limonene
- Silicone pump tube
- 8 D cell batteries 1.2V–1.5V
or 2 6V lantern batteries, not included
- Indoor
- Wall mount only
- Econ TD battery-powered pump prefix begins with E10T01 or E20T01



ECON TD Electric



ECON TD Battery-Powered

ECON TIMER SERIES

Applications

ECON T

- Biocide feed for Legionella prevention in small cooling towers
- Sanitation for water fountains
- Injection of liquid solar blankets or enzymes for commercial pools
- Injection for scale and algae control in poultry evaporative cool cells
- Disinfection of poultry hatchery dip tanks

ECON TD, Econ TD Battery-Powered

The Econ TD pumps are designed for 5 psi or less and are part of the Econ programmable timer series. Both of the TD pumps offer an FKM tube for d-Limonene. The TD battery-powered model also offers a silicone pump tube for a variety of chemicals; refer to the Chemical Guide in this catalog.

Commercial drain line maintenance, grease trap treatment or odor control are some of the possibilities where automatic injection on a timed dosing schedule can be a necessity.

Accessories Shipped with Each Pump

ECON T

- 3 Connecting Nuts 1/4" & 3 Ferrules 1/4" or 6 mm *Europe*
- 1 Injection Fitting 25 psi (1.7 bar) max.
or 1 Duckbill Check Valve 80 psi (5.5 bar) max.
- 1 Weighted Suction Line Strainer 1/4" or 6 mm *Europe*
- 20' Suction/Discharge Tubing 1/4", white
or 20' Suction/Discharge, white, 6 mm *Europe*
- 1 Additional Pump Tube
- 1 Manual

ECON TD

- 3 Connecting Nuts 1/4" & 3 Ferrules 1/4" or 6 mm *Europe*
- 1 Injection Fitting
- 1 Ceramic Weight with clip 1/4"
- 20' Suction/Discharge Tubing 1/4", white or UV black
or 20' Suction/Discharge, white, 6 mm *Europe*
- 1 Manual and Addendum

NOTE: Econ TD Battery Pump includes 1 Mounting Bracket.

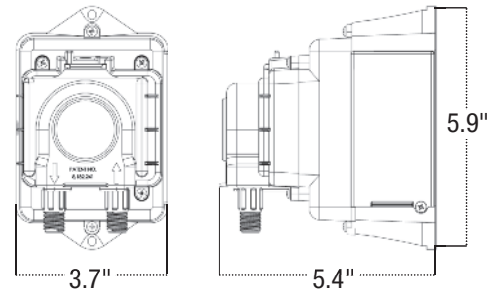
Weights and Dimensions

ECON T and ECON TD Electric-Powered Models

Shipping Weight 4 lbs (1.8 kg)

Box Dimensions 8 x 8 x 10 in. (21 x 21 x 25 cm)

Product Dimensions

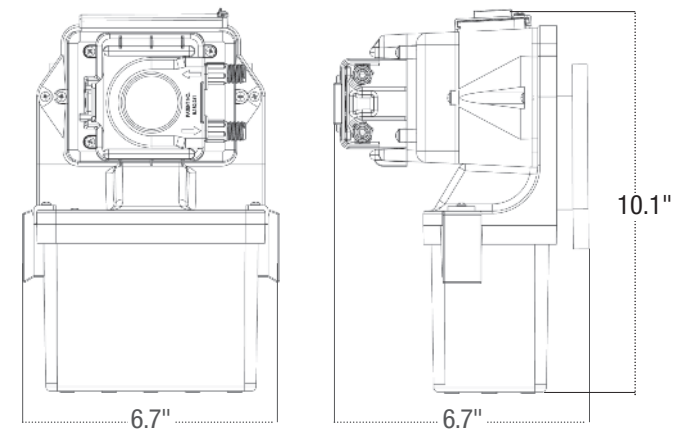


ECON TD Battery-Powered Models







Shipping Weight 5 lbs (2.1 kg)

Box Dimensions 14 x 9 x 10 in. (36 x 23 x 24 cm)

Product Dimensions



ECON TIMER SERIES

	ECON T	ECON TD	ECON TD Battery
Specifications			
Flow Rate Output Control	Programmable 24 hr clock, 7 day, 24 event timer	Programmable 24 hr clock, 7 day, 24 event timer	Programmable 24 hr clock, 7 day, 24 event timer
Reproducibility	±5%	±15%	Varies depending on battery quality and strength
Max. Working Pressure	25 psi (1.7 bar); 80 psi (5.5 bar)	5 psi (0.34 bar)	5 psi (0.34 bar)
Max. Operating Temperature	104°F (40°C)	104°F (40°C)	104°F (40°C)
Max. Suction Lift	25 ft (7.6 m) vertical lift, based on water	5 ft (1.5 m) vertical lift, based on water	5 ft (1.5 m) vertical lift, based on water
Motor Type	24VDC, brushed	24VDC, brushed	Proprietary
Shaft rpm (average maximum)	9, 18 or 40	8, 18, 25 or 40	Varies depending on battery quality and strength
Duty Cycle	Continuous	Continuous	Intermittent
Maximum Viscosity	100 centipoise	100 centipoise	100 centipoise
Motor Voltage	120V 60Hz (0.25A); 230V 60Hz (0.17A); 230V 50Hz (10W); 24VDC (0.5A)	120V 60Hz (0.25A); 230V 60Hz (0.17A); 230V 50Hz (10W); 24VDC (0.5A)	n/a
Power Cord Type	120V 60Hz; 230V 60Hz SJTOW; 230V 50Hz H05RN-F; 24VDC pigtail	120V 60Hz; 230V 60Hz SJTOW; 230V 50Hz: H05RN-F; 24VDC pigtail	n/a
Power Cord Plug End	120V 60Hz NEMA 5-15P; 230V 60Hz NEMA 6-15P; 230V 50Hz CEE7/7; 24VDC pigtail	120V 60Hz NEMA 5-15P; 230V 60Hz NEMA 6-15P; 230V 50Hz CEE7/7; 24VDC pigtail	n/a
Power Cord Length	6 ft (1.8 m); 10 ft (3.05 m); 24VDC pigtail 1 ft (30.5 cm)	6 ft (1.8 m); 10 ft (3.05 m); 24VDC pigtail 1 ft (30.5 cm)	n/a
Classification	Indoor/Outdoor	Indoor	Indoor
Materials of Construction			
Pump Tube	Santoprene® (FDA approved)	FKM	FKM or Silicone
Check Valve Duckbill	Santoprene® (FDA approved)	n/a	n/a
Suction Line Weight	Strainer & Cap PVC or Polypropylene (both NSF listed); ceramic weight	Ceramic Weight with 1/4" Clip PVC (NSF listed); ceramic weight	Ceramic Weight with 1/4" Clip PVC (NSF listed); ceramic weight
Housings	Polycarbonate	Polycarbonate	Polycarbonate
Pump Head Rollers	Polyethylene	Polyethylene	Polyethylene
Suction/Discharge Tubing and Ferrules	Polyethylene (FDA approved)	Polyethylene (FDA approved)	Polyethylene (FDA approved)
Tube and Injection Fittings	PVC or Polypropylene (both NSF listed)	PVC or Polypropylene (both NSF listed)	PVC or Polypropylene (both NSF listed)
Connecting Nuts	PVC or Polypropylene (both NSF listed)	PVC or Polypropylene (both NSF listed)	PVC or Polypropylene (both NSF listed)
All Fasteners	Stainless steel	Stainless steel	Stainless steel
NOTE: Refer to Chemical Guide for material compatibility.			
Agency Listings	    <p>Intertek 94247 CONFORMS TO ANSI/NSF STD. 50 Equipment for sanitizing pools, spas, hot tubs and other recreational water facilities.</p> <p>LISTED METERING PUMP 4711</p> <p>IP44</p> <p>THIS PUMP IS TESTED AND CERTIFIED BY INTERTEK ACCORDING TO AND LISTED AS CONFORMING WITH THE SPECIFICATIONS AND REQUIREMENTS ONLY AND NOTING 510.</p> <p>- INTERTEK/ETL Sanitation Listed, conforms to standard NSF/ANSI 50 (excludes any model rated for 80 psi max.). Listings vary by model. 24VDC pumps do not carry any agency listings.</p>	   <p>LISTED METERING PUMP 4711</p> <p>IP44</p> <p>Listings vary by model. 24VDC pumps do not carry any agency listings.</p>	Battery pumps do not carry any agency listings.

ECON TIMER SERIES Econ T Models

Flow Rate Outputs ECON T 25 psi (1.7 bar) max.

Pump Prefix	Pump Tube	Roller Assembly	Gallons per Day	Gallons per Hour	Ounces per Hour	Ounces per Minute	Liters per Day	Liters per Hour	Milliliters per Hour	Milliliters per Minute
E10T1A	A	White	2.5	0.10	13.2	0.22	9.5	0.39	396.0	6.60
E10T2A	A	White	5.0	0.21	26.4	0.44	18.9	0.79	786.0	13.10
E10T2B	B	White	8.5	0.35	45.6	0.76	32.2	1.34	1338.0	22.30
E10T2C	C	White	15.0	0.63	79.8	1.33	56.8	2.37	2364.0	39.40

Approximate max. output @ 50/60Hz

Flow Rate Outputs ECON T 80 psi (5.5 bar) max.

Pump Prefix	Pump Tube	Roller Assembly	Gallons per Day	Gallons per Hour	Ounces per Hour	Ounces per Minute	Liters per Day	Liters per Hour	Milliliters per Hour	Milliliters per Minute
E10T1F	F	White	0.6	0.02	3.0	0.05	2.2	0.09	90.0	1.50
E10T2F	F	White	1.3	0.05	6.6	0.11	4.8	0.20	198.0	3.30
E20T4F	F	White	3.4	0.14	18.0	0.30	13.1	0.54	544.8	9.08
E20T4G	G	Black	12.3	0.51	65.4	1.09	46.5	1.94	1937.4	32.29
E20T4H	H	Black	21.7	0.90	115.2	1.92	82.0	3.41	3416.4	56.94

Approximate max. output @ 50/60Hz

PUMP Build Item Number



VOLTAGE & HERTZ

- 120V 60Hz; 6' cord
- 120V 60Hz; 10' cord
- 230V 60Hz; 6' cord
- 24VDC; 1' cord
- 230V 50Hz; 6' cord *International*

- 7
- 8
- B
- 5
- 9

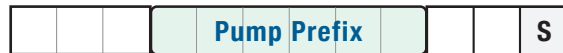
S TUBE MATERIAL Santoprene®
Refer to Chemical Guide for material compatibility.

SUCTION/DISCHARGE TUBING

- 1/4" White
- 1/4" UV Black
- 6 mm White *Europe*
- O.D. does not affect output.

- 1
- 2
- 5

TANK SYSTEM Build Item Number



TANK

- 7.5-Gallon UV Gray
- 7.5-Gallon White
- 15-Gallon UV Gray
- 15-Gallon White
- 30-Gallon UV Gray
- 30-Gallon White

- S7G
- S7N
- S1G
- S1N
- S3G
- S3N

VOLTAGE & HERTZ

- 120V 60Hz; 6' cord
- 120V 60Hz; 10' cord
- 230V 60Hz; 6' cord
- 230V 50Hz; 6' cord *International*

- 7
- 8
- B
- 9

S TUBE MATERIAL Santoprene®
Refer to Chemical Guide for material compatibility.

SUCTION/DISCHARGE TUBING

- 1/4" White
- 1/4" UV Black
- 6 mm White *Europe*
- O.D. does not affect output.

- 1
- 2
- 5

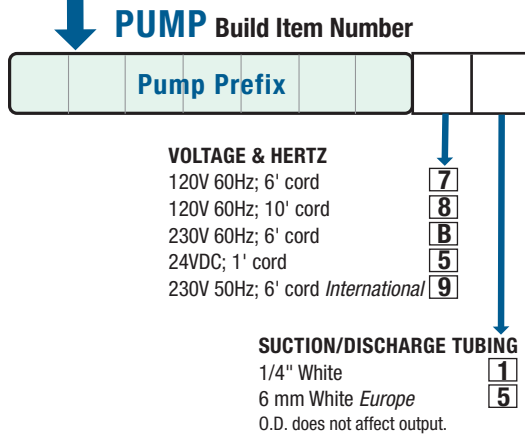
NOTICE: The information within these charts is solely intended for use as a guide. The output data is an approximation based on pumping water under a controlled testing environment. Many variables can affect the output of the pump. Stenner Pump Company recommends that all metering pumps undergo field calibration by means of analytical testing to confirm their outputs.

ECON TIMER SERIES Econ TD Models

Flow Rate Outputs ECON TD 5 psi (0.34 bar) max.

Pump Prefix	Pump Tube	Tube Material	Roller Assembly	Gallons per Day	Gallons per Hour	Ounces per Hour	Ounces per Minute	Liters per Day	Liters per Hour	Milliliters per Hour	Milliliters per Minute
E20T1C3	C3	FKM	Black	9.10	0.38	48.7	0.81	34.6	1.44	1440.0	24.0
E20T2C3	C3	FKM	Black	17.10	0.71	91.2	1.52	64.7	2.70	2687.6	44.8
E20T3C3	C3	FKM	Black	23.20	0.97	123.7	2.06	87.8	3.66	3659.2	61.0
E20T4C3	C3	FKM	Black	35.76	1.49	190.7	3.18	135.4	5.64	5640.3	94.0

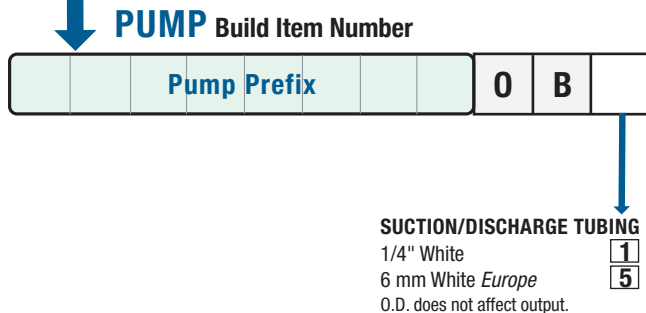
Approximate max. output @ 50/60Hz



Flow Rate Outputs ECON TD Battery-Powered 5 psi (0.34 bar) max.

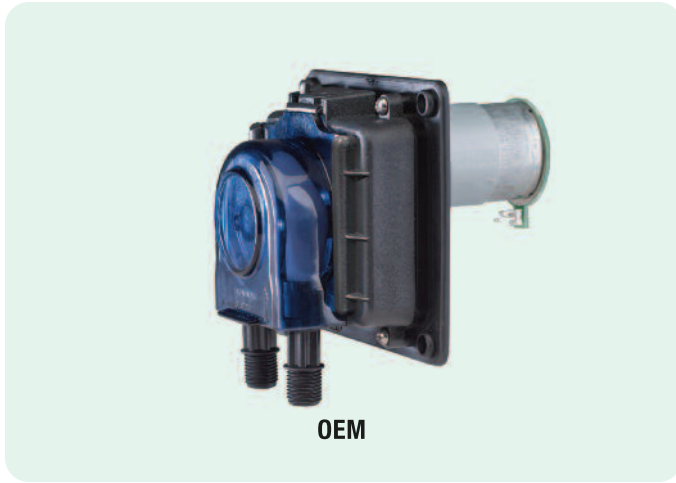
Pump Prefix	Pump Tube	Tube Material	Roller Assembly	Gallons per Day	Gallons per Hour	Ounces per Hour	Ounces per Minute	Liters per Day	Liters per Hour	Milliliters per Hour	Milliliters per Minute
E10T01C3	C3	FKM	Blue	24.7	1.00	132.0	2.2	94.0	3.9	3904.0	65.0
E20T01C3	C3	FKM	Blue	41.7	1.74	222.0	3.7	158.0	6.6	6577.0	110.0
E10T01C4	C4	Silicone	Blue	27.0	1.10	144.0	2.4	102.0	4.2	4259.0	71.0
E20T01C4	C4	Silicone	Blue	45.0	1.88	240.0	4.0	170.0	7.1	7098.0	118.0

Approximate max. output @ 50/60Hz



0 B Denotes battery-powered

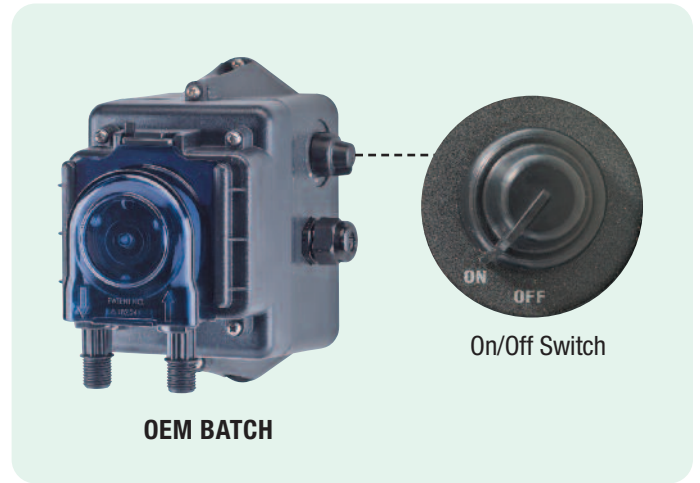
NOTICE: The information within this chart is solely intended for use as a guide. The output data is an approximation based on pumping water under a controlled testing environment. Many variables can affect the output of the pump. Stenner Pump Company recommends that all metering pumps undergo field calibration by means of analytical testing to confirm their outputs.



OEM

Stenner's custom OEM pump can be designed with the customer's supplied motor and gearbox. A standard OEM bracket is provided, or a custom bracket can be designed. The pump is offered with a brushless or brushed DC motor with a choice of either an open or closed version.

Enclosed versions offer an optional internal power supply and customizable power cord for 100-240VAC, 50/60Hz. The customer selects the fixed output from ranges of 0.04 ounces per hour to 2.08 gallons per hour, up to 80 psi maximum (1.3 milliliters per hour to 7.88 liters per hour, up to 5.5 bar maximum).



OEM BATCH

On/Off Switch

The custom OEM batch pump is factory programmed to run a specific length of time when manually activated by an integral switch or can be designed to activate with an input signal. The customer selects the pump run time from 0.1 seconds to 24 hours per activation.

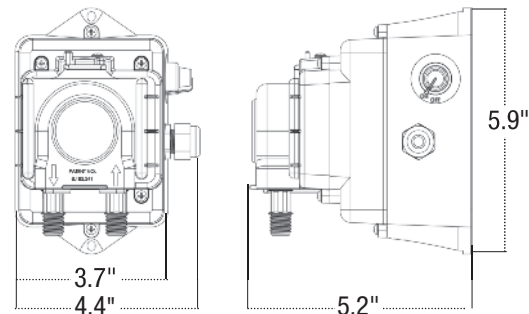
The pre-set fluid volume choices are up to 50 gallons per day, up to 80 psi maximum (189.3 liters per day, up to 5.5 bar maximum). The pump is supplied with a 24VDC brushless motor and a customizable power cord for 100-240VAC, 50/60Hz. The pump can also be supplied without an internal power supply.

Weights and Dimensions

Shipping Weight 4 lbs (1.5 kg)

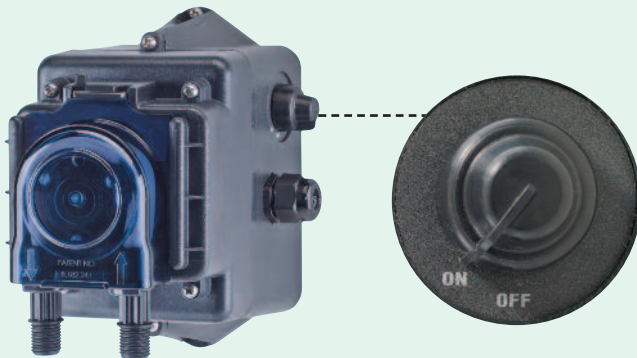
Box Dimensions 8 x 8 x 10 in. (21 x 21 x 25 cm)

Product Dimensions



Quick Facts

- Up to 8.1 oz/min @ 80 psi max.
- Adjustable potentiometer
- Select custom color
- Optional tube materials
- Dual bearing support output shaft
- Liquid end, gear train & motor are serviceable
- Agency approvals available
- Voltage options



ECON VACCINATOR™

Reliable and Accurate Delivery

The Vaccinator™ delivers 1 gallon of a liquid oral vaccine into the water line consistently over 6 hours.

Injection is directly into the water line, unlike proportioners which require a water bypass.

Direct injection assures accurate dosages to the entire herd and eliminates the need to pre-measure stock solutions, reducing labor costs.

Features

- Patented quick release pump head
- Tube replacement without tools
- Enclosed housing
- On/Off potentiometer
- Indoor/Outdoor
- Optional mounting accessories
- Advantages of Stenner peristaltic pumps on Contents page

Quick Facts

- Injects 1 gallon consistently over 6 hours
- Built-in timer automatically turns off pump
- Simple installation
- Injects directly into water lines
- Eliminates pre-measured stock solutions

Models

US Model Item Number **E10SHGA1S**

- 0.36 ounces per minute max.
- G pump tube
- Black roller assembly
- 120V 60Hz
- 1/4" white suction/discharge tubing

EUROPE Model Item Number **E10SHGC9S**

- 13.9 milliliters per minute max.
- G pump tube
- Black roller assembly
- 230V 50Hz
- 6 mm white suction/discharge tubing

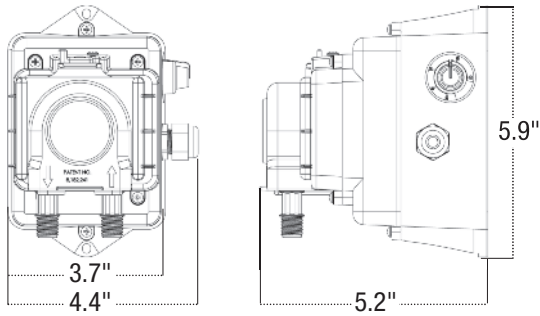
ECON VACCINATOR™ SERIES

Weights and Dimensions

Shipping Weight 4 lbs (1.5 kg)

Box Dimensions 8 x 8 x 10 in. (21 x 21 x 25 cm)

Product Dimensions



Accessories Shipped with Each Pump

4 Connecting Nuts 1/4" or 6 mm *Europe*

3 Ferrules 1/4" or 6 mm *Europe*

1 Injection Check Valve

1 Vented Cap with tubing adapter, 1.5" or 38 mm *Europe*

20' Suction/Discharge Tubing white, 1/4" or 6 mm *Europe*

1 Additional Pump Tube

1 Manual

Specifications

Flow Rate Output Control

Factory programmed with 375 minute run cycle

Reproducibility $\pm 2\%$

Maximum Working Pressure 80 psi (5.5 bar)

Maximum Operating Temperature 104°F (40°C)

Maximum Suction Lift

25 ft (7.6 m) vertical lift, based on water

Motor Type 24VDC, brushless

Shaft rpm (average maximum) 17

Duty Cycle Continuous

Maximum Viscosity 50 centipoise

Motor Voltage

120V 60Hz (0.25A); 230V 50Hz 1PH (0.3)

Power Cord Type

120V 60Hz; 230V 50Hz H05RN-F

Power Cord Plug End

120V 60Hz NEMA 5-15P;

230V 50Hz CEE7/7

Power Cord Length 6 ft (1.8 m)

Classification Indoor/Outdoor

Materials of Construction

All Housings Polycarbonate

Pump Tube & Check Valve Duckbill

Santoprene® (FDA approved)

Pump Head Rollers Polyethylene

Suction/Discharge Tubing, Ferrules

Polyethylene (FDA approved)

Tube and Injection Fittings

PVC or Polypropylene (both NSF listed)

Connecting Nuts

PVC or Polypropylene (both NSF listed)

All Fasteners Stainless steel

NOTE: Refer to Chemical Guide for material compatibility.

Agency Listings



Listings vary by model.



7.5-Gallon (28.4 Liters)



15-Gallon (56.8 Liters)



30-Gallon (113.6 Liters)

Materials of Construction

Tank Polyethylene

Lid with child resistant lock Polypropylene

Grommets Viton

Screws Stainless steel

Agency Listings



Quick Facts

- UV resistant gray or translucent white
- 7.5, 15 or 30 gallon
- Child resistant lid
- Polyethylene construction
- Lightweight

Weights and Dimensions

Tank Size	Shipping Weight	Box Dimensions
7.5-Gallon	15 lbs (6.8 kg)	23 x 23 x 21 in. (58 x 58 x 54 cm)
15-Gallon	18 lbs (8.2 kg)	23 x 23 x 27 in. (58 x 58 x 66 cm)
30-Gallon	24 lbs (10.8 kg)	23 x 23 x 39 in. (58 x 58 x 97 cm)

Product Dimensions

7.5-Gallon: 20.5 OD x 19.6 in. (52.1 OD x 49.9 cm)

15-Gallon: 20.5 OD x 25.3 in. (52.1 OD x 64.1 cm)

30-Gallon: 20.5 OD x 37.5 in. (52.1 OD x 95.3 cm)

TANKS

DESCRIPTION	WORKS WITH	ITEM NUMBER
7.5-Gallon, UV Gray		STS7GC
7.5-Gallon, White	45, 85,	STS7NC
15-Gallon, UV Gray	S30, S40, S3F, S4F, S3V, S4V,	STS15GC
15-Gallon, White	S34, S44, S3P, S4M	STS15NC
30-Gallon, UV Gray	All Econ* pumps excluding E10T01, E20T01	STS30GC
30-Gallon, White		STS30NC

* Econ Mounting Kit **EC303** required and sold separately on page 70.

TANK SYSTEM

Pump and Tank Pre-Assembled System



7.5-Gallon (28.4 Liters)



15-Gallon (56.8 Liters)



30-Gallon (113.6 Liters)

Materials of Construction

Tank Polyethylene

Lid with child resistant lock Polypropylene

Grommets Viton

Screws Stainless steel

Agency Listings



THIS TANK IS TESTED AND CERTIFIED BY NSF ACCORDING TO ANSI/NSF 61 FOR CONTACT WITH SOURCE HYPOCHLORITE AND WATER ONLY AND ANSI/NSF 372.

How It Works

Tank Systems include the pump, tank and accessories. Most Tank Systems are shipped pre-assembled to save time on installation. Larger pumps are boxed separately within the tank box.

Go to the specific pump page in this catalog to see if your pump selection is available as a Tank System.

Features

- Pump is vertically mounted for solution containment
- Child resistant lid
- Polyethylene construction is lightweight and rugged



- Rain Roof (Classic Series only)
- Vertical mount over containment basin
- Child Resistant Lid
- Level Indicators

Weights and Dimensions

Tank Size	Shipping Weight			Box Dimensions
	Pump Prefix 45M, 85M, S30, S40	Pump Prefix 45MP, 85MP	All Econs excluding pump prefix E10T01, E20T01	
7.5-Gallon	24 lbs (10.9 kg)	23 lbs (10.4 kg)	19 lbs (8.6 kg)	23 x 23 x 21 in. (58 x 58 x 54 cm)
15-Gallon	27 lbs (12.2 kg)	26 lbs (11.8 kg)	22 lbs (10.0 kg)	23 x 23 x 27 in. (58 x 58 x 66 cm)
30-Gallon	34 lbs (15.4 kg)	32 lbs (14.5 kg)	27 lbs (12.2 kg)	23 x 23 x 39 in. (58 x 58 x 97 cm)

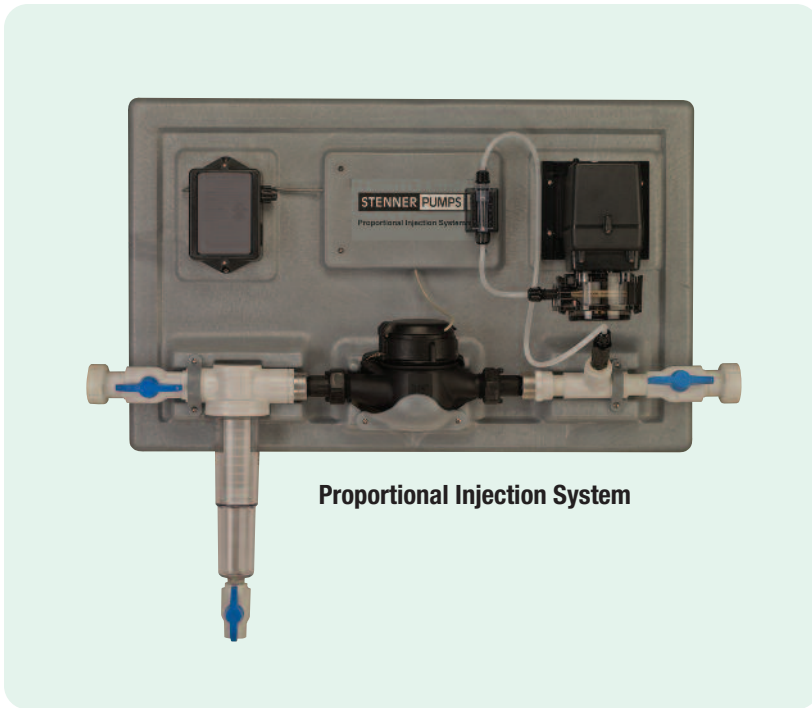
NOTE: Weights are approximate.

Product Dimensions

7.5-Gallon: 20.5 OD x 19.6 in. (52.1 OD x 49.8 cm)

15-Gallon: 20.5 OD x 25.3 in. (52.1 OD x 64.1 cm)

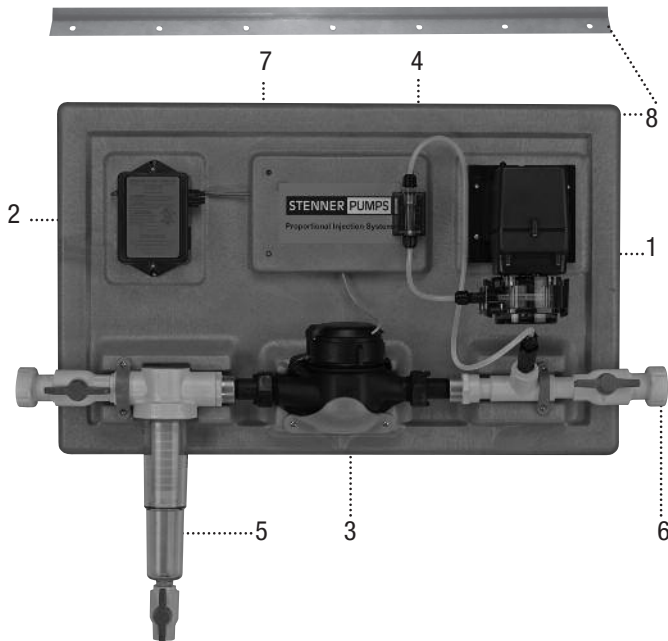
30-Gallon: 20.5 OD x 37.5 in. (52.1 OD x 95.3 cm)



Proportional Metering in a Pre-Assembled System

The Proportional Injection System injects solution in proportion to the system's flow rate based on water volume. The water meter sends a signal to the PCM which actuates the pump. Components are pre-mounted to a heavy duty panel for quick installation and convenient equipment accessibility.

The system is suited for constant pressure (variable speed) well pumps, poultry and livestock houses, irrigation, systems with demand based backup wells and any application with varying flow rates.



Components

- 1 Classic Series Single Head Fixed Output Pump
- 2 PCM
- 3 Plastic 3/4" dry contact water meter, certified by the Water Quality Association to ANSI/NSF 372, low lead
- 4 Flow Indicator to confirm pump is operating
- 5 Filter with 30 and 100 mesh screens
- 6 Unions for easy installation and removal
- 7 Cabinet keeps cords and wires contained
- 8 Heavy duty panel and wall mounting bracket

PROPORTIONAL INJECTION SYSTEM MODELS

Weights and Dimensions

Shipping Weight 29 lbs (13.2 kg)

Box Dimensions 36 x 23 x 12 in. (91 x 59 x 29 cm)

PROPORTIONAL INJECTION SYSTEM Build Item Number



CLASSIC 120V 60Hz SINGLE HEAD FIXED

3 gpd / 11.4 lpd	03
5 gpd / 18.9 lpd	05
10 gpd / 37.9 lpd	10
17 gpd / 64.4 lpd	17
22 gpd / 83.3 lpd	22
40 gpd / 151.4 lpd	40

PCM 120V 60Hz OPERATING SEC.

0.1 to 1.0	01
0.5 to 5.0	05
1.0 to 10.0	10
2.0 to 20.0	20

PLASTIC WATER METER

3/4" 1 pulse/gallon	341P
3/4" 2 pulses/gallon	342P
3/4" 4 pulses/gallon	344P

S Denotes System

1 SUCTION/DISCHARGE TUBING 1/4" White
O.D. does not affect output.

Specifications

Flow Rate Output Control Water meter and PCM

Voltage 120V 60Hz

Materials of Construction

Panel & Panel Fittings Polyethylene

Mounting Hardware Stainless steel

Piping and Associated Fittings PVC

Water Meter Plastic lead free (certified with WQA/ANSI-372)

Filter PVC with polycarbonate cover and two polyester screens 30 and 100 mesh

NOTE: PVC connections are socket weld union 3/4" connections. Two 1" to 3/4" reducer couplings are included in the accessory kit to allow unit to adapt to 1" piping systems.



PCM

Potentiometer

Specifications

Timer Microcontroller with triac output

Turndown Ratio 10:1

Input Signal Non-voltage dry contact water meter

Reset Time Immediate

Minimum Signal Durations 10 milliseconds

Input Electrical 120V 60Hz

No Load Current 0.45mA AC maximum

Output Electrical

Maximum device load, 1.8 amp at 120V

Materials of Construction

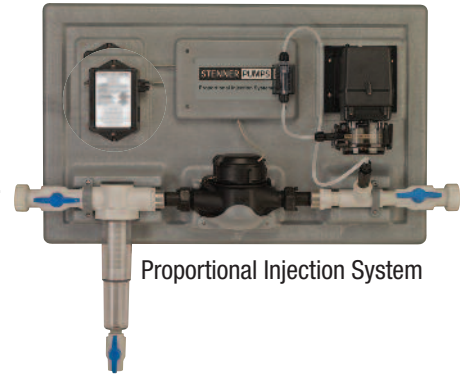
Housings Polycarbonate

Agency Listings



How It Works

The PCM is a time adjustable controller utilized with the Classic Series Single Head Fixed Output Pump and a pulsing dry contact water meter for applications requiring proportional injection. The water meter sends a signal to the PCM and the PCM actuates the pump to deliver the desired dose based on water volume. The PCM is a component in Stenner's Proportional Injection System.



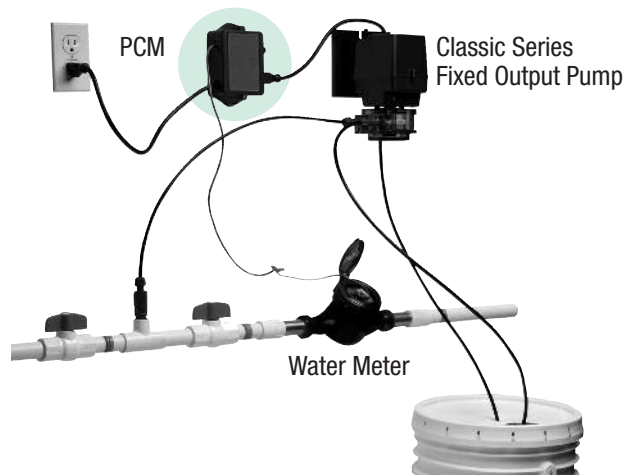
Proportional Injection System

Features

- Chemical resistant ABS plastic housing
- On-time duration set with knob adjustment with locking feature
- 10' power cord and jacketed signal input cable

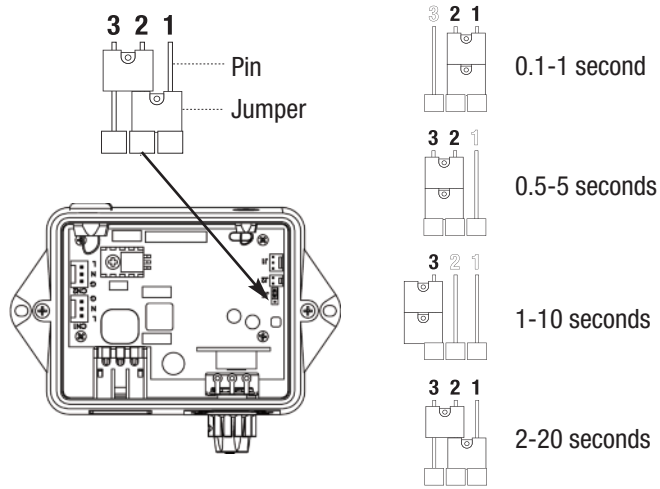
Do It Yourself Proportional Feed

Purchase a Classic Series Single Head Fixed Output Pump, a PCM and water meter to create your own proportional feed installation.



Operating Ranges are Interchangeable within Models

The PCM's operating range can be converted by changing the position of the jumpers on the circuit board so another model doesn't have to be purchased.

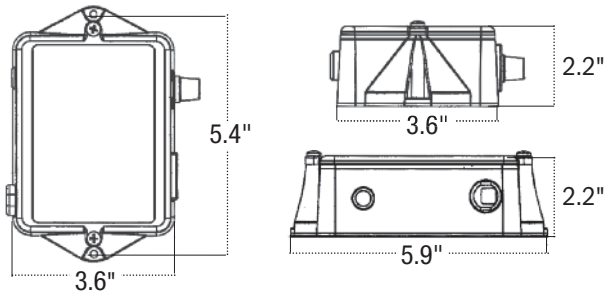


Weights and Dimensions

Shipping Weight 2.1 lbs (1 kg)

Box Dimensions 9 x 9 x 7 in. (23 x 23 x 18 cm)

Product Dimensions



PCM

OPERATING RANGE	ITEM NUMBER
0.1 to 1.0 Second	PCM1
0.5 to 5.0 Seconds	PCM5
1.0 to 10.0 Seconds	PCM10
2.0 to 20.0 Seconds	PCM20



Plastic Water Meter

How It Works

The plastic water meter doesn't require power and utilizes a reed switch to provide a pulsing dry contact signal. The meter is certified by IAPMO to ANSI/NSF 372, low lead.

The 3/4" or 1" meter is included with the Econ Meter Systems. The 3/4" meter is included with the Proportional Injection System. Purchase the meter and other components separately to create your own proportional feed installation.

Weights and Dimensions

Size	Shipping Weight	Body	Body with Couplings	IPS Thread	NPT Thread
3/4"	2.2 lbs (0.9 kg)	7.5" (19.1 cm)	11.5" (29.2 cm)	1"	0.75"
1"	2.8 lbs (1.4 kg)	10.25" (26.0 cm)	15.25" (38.7 cm)	1.25"	1"
1 1/2"	5.7 lbs (2.7 kg)	9.63" (24.4 cm)	14.75" (37.5 cm)	2"	1.5"

Flow Rates*

SIZE	FLOW RATE GPM	PULSES PER GALLON			
		1	2	4	10
3/4"	0.25 to 22	1	2	4	10
1"	0.75 to 50	1	2	4	10
1 1/2"	2.0 to 100	1	2	4	n/a

* Continuous Flow: The meter size should be selected based upon continuous flow, gpm, as opposed to pipe size.

Specifications

Accuracy ±2% when operating between minimum and maximum flow range

Temperature Range 35-122°F (1.7-50°C)

Pressure Ratings 15-100 psi (1.0-6.9 bar)

Maximum Current 20mA

Maximum Voltage 24VAC; 24VDC

Sensor Reed switch

Cable Length 6 ft (1.8 m)

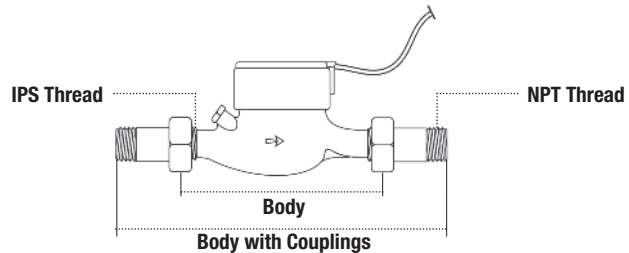
Materials of Construction

Body** Engineered reinforced plastic (nylon)

Internal Engineered thermoplastic

Magnet Alnico

** 1 1/2" meter may include plastic or lead free stainless steel couplings.



PLASTIC WATER METER

SIZE	PULSES PER GALLON	ITEM NUMBER
3/4"	1 pulse/gallon	JLP0750-1PPG
3/4"	2 pulses/gallon	JLP0750-2PPG
3/4"	4 pulses/gallon	JLP0750-4PPG
3/4"	10 pulses/gallon	JLP0750-10PPG
1"	1 pulse/gallon	JLP1000-1PPG
1"	2 pulses/gallon	JLP1000-2PPG
1"	4 pulses/gallon	JLP1000-4PPG
1"	10 pulses/gallon	JLP1000-10PPG
1 1/2"	1 pulse/gallon	JLP1500-1PPG
1 1/2"	2 pulses/gallon	JLP1500-2PPG
1 1/2"	4 pulses/gallon	JLP1500-4PPG

WATER METER

Stainless Steel | Dry Contact | Reed Switch



Stainless Steel Water Meter

Flow Rates

Continuous Flow* 80 gallons per minute

Flow Range 2-160 gallons per minute

Pulses per Gallon 1, 2, 4

* The size of the meter should be based upon continuous flow and gallons per minute as opposed to pipe size.

Specifications

Accuracy $\pm 1.5\%$ of maximum flow when operating between minimum and maximum flow range

Maximum Operating Pressure 150 psi (10.3 bar)

pH Level Range 6.5-8.0

Temperature Range 35-122°F (1.7-50°C)

Protect the meter from freezing

Maximum Current 20mA

Maximum Voltage 24VAC; 24VDC

Sensor Reed switch, dry contact type, normally open

Cable Length 6 ft (1.8 m)

Register US gallons

Materials of Construction

Body Stainless steel

Internal Engineered thermoplastic

Magnet Alnico

How It Works

The stainless steel water meter doesn't require power and utilizes a reed switch to provide a pulsing dry contact signal. The meter is certified by IAPMO to ANSI/NSF 372, low lead.

Purchase the meter and other components separately to create your own proportional feed installation.

Weights and Dimensions

Shipping Weight 12 lbs (5.4 kg)

Box Dimensions 13 x 10 x 9 in. (33 x 25 x 23 cm)

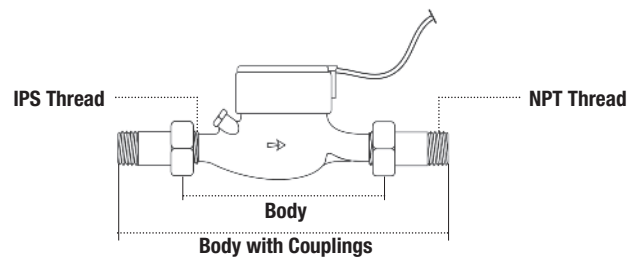
Product Dimensions

Body: 11.9 in. (30.1 cm)

Body with Couplings: 17.5 in. (44.5 cm)

IPS Thread: 2.5 in. (6.4 cm)

NPT Thread: 2.0 in. (5.1 cm)



STAINLESS STEEL WATER METER

SIZE	PULSE PER GALLON	ITEM NUMBER
2"	1 pulse/gallon	SSMRS20-1PPG
2"	2 pulses/gallon	SSMRS20-2PPG
2"	4 pulses/gallon	SSMRS20-4PPG

NOTE: Two week lead time for non-stocked meters. Contact factory to confirm availability.



VPD Water Meter

How It Works

The VPD Water Meter is a vertical positive displacement meter with an oscillating piston. The water meter doesn't require power and utilizes a reed switch to provide a pulsing dry contact signal. Although designed for vertical installation, the meter can be installed horizontally or on an incline, provided the meter remains full of water. The meter has a built-in back flow preventer and is housed in an engineered plastic with a corrosion resistant liquid-sealed register for easy reading.

The VPD Water Meter registers flow rates from 0.1 to 22 gallons per minute. It is ideal for applications with minimal water flow such as early stage poultry flocks and swine nurseries.

Weights and Dimensions

Shipping Weight 1.8 lbs (0.8 kg)

Box Dimensions 13 x 10 x 9 in. (33 x 25 x 23 cm)

Product Dimensions

Body: 6.5 in. (16.51 cm)

Body with Couplings: 10.5 in. (26.67 cm)

IPS Thread: 1.0 in. (2.54 cm)

NPT Thread: 0.75 in. (1.9 cm)

Flow Rates

Continuous Flow* 16 gallons per minute

Flow Range 0.1-22 gallons per minute

* The size of the meter should be based upon continuous flow and gallons per minute as opposed to pipe size.

Specifications

Accuracy ±2% of maximum flow when operating between minimum and maximum flow range

Maximum Operating Pressure 150 psi (10.3 bar)

Temperature Range 35-122°F (1.7-50°C)

Protect the meter from freezing

Maximum Current 20mA

Maximum Voltage 24VAC; 24VDC

Sensor Reed switch, dry contact type, normally open

Cable Length 6 ft (1.8 m)

Register US gallons or liters

Materials of Construction

Body Engineered reinforced plastic (nylon)

Internal Engineered thermoplastic

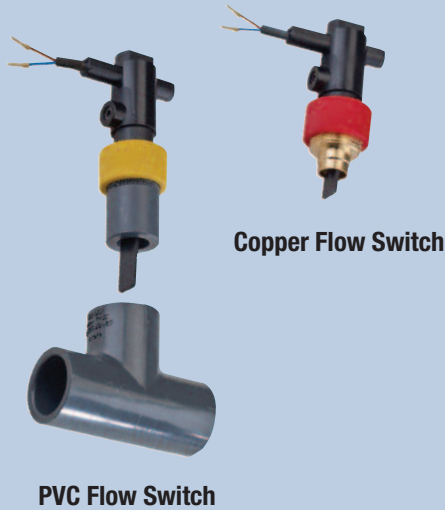
VERTICAL POSITIVE DISPLACEMENT WATER METER

SIZE	PULSE PER GALLON	ITEM NUMBER
3/4"	1 pulse/gallon	VPD0750-1PPG
3/4"	1 pulse/liter	VPD0750-1PPL

NOTE: Two week lead time for non-stocked meters. Contact factory to confirm availability.

FLOW SWITCH

Dry Contact | PVC or Copper Styles



PVC Flow Switch

Copper Flow Switch

Specifications

Switching Function Contact closes at increasing flow, opens at decreasing flow

Pressure Rating Maximum 145 psi*

Medium Temperature Maximum +212°F (+100°C)*

Ambient Temperature Maximum +158°F (+70°C)*

Protection Class IP 65

Switching Current Maximum 1A

Switching Voltage Maximum 230VAC; 48VDC

Switching Capacity Maximum 26VA, 20W

Materials of Construction

Body/Paddle System PPO Noryl GFN3

Adapter

PVC: Glue-in

Copper: Brass, soldering

Gasket EPDM

Magnet Hard Ferrite

Cable PVC

Agency Listings

- cETLus Component Recognized
- UL 508
- UL 353
- CSA C22.2#14-05
- Water Regulations Advisory Scheme

* Values for flow switch, observe maximum values of PVC slip fit tee or maximum values of copper pipe.

How It Works

In residential or light commercial applications, water treatment professionals can use a metering pump activated by a flow switch for applications such as disinfection, oxidation or pH adjustment. Stenner offers a dry contact, 2-wire flow switch for a PVC tee or copper pipe. Both are a paddle style with glass fiber reinforced plastic construction. The design uses a magnetic force to reset the paddle to eliminate spring fatigue. Stenner's Econ FP or Econ Integrator™ pumps are designed to interface with a two wire flow switch that accepts a dry contact.

Features

The flow switch for PVC includes a glue-in adapter for easy mounting to a standard PVC slip fit tee. The flow switch for copper has an adapter for soldering to copper pipe. A wiring harness is included with the Econ FP and the Econ Integrator™ for an easy connection to the dry contact flow switch.

The nominal activation points are based on installation into a Spears 3/4" or 1" schedule 80 PVC tee, or an industry standard, smooth 3/4" or 1" copper pipe. The activation points are 1.2 gallons per minute for the 3/4" and 1.9 gallons per minute for the 1" flow switch.

FLOW SWITCH

DESCRIPTION	ITEM NUMBER
3/4" for PVC pipe	EC500
1" for PVC pipe	EC501
3/4" for copper pipe	EC50C
1" for copper pipe	EC51C

PUMP TUBES



Refer to the **FLOW RATE OUTPUTS** chart to match the pump with the correct tube

Includes tube, ferrules 1/4" or 6 mm Europe

DESCRIPTION	UM	Insert tube # for □		WORKS WITH
		PART NUMBER	Europe 6 mm	
#1, 2, 3, 4, or 5 Santoprene® tube	2-PK	UCCP20□	UCCP2□CE	45, 85, 100, 170, S30, S34, S3F, S3P, S3V
	5-PK	MCCP20□	MCCP2□CE	
#1 or 2 Santoprene® tube & duckbill	2-PK	UCCP□FD	UC□FDCE	45, 85, 100, 170, S30, S34, S3F, S3P, S3V
#1, 2, 3, 4, or 5 Versilon® tube	2-PK	UCTYG0□	UCTY□CE	45, 85, 100, 170, S30, S34, S3F, S3V
	5-PK	MCTYG0□	MCTY□CE	
#1 or 2 Versilon® tube & Pellethane® duckbill	2-PK	UCTY□FD	UCTY□DCE	45, 85, 100, 170, S30, S34, S3F, S3V
#5X Santoprene® tube	2-PK	S4005X-2		S40, S44, S4F, S4V
	5-PK	S4005X-5		
#5G Santoprene® tube	2-PK	S5005G-2		S50
	5-PK	S5005G-5		
#6 Santoprene® tube	2-PK	UCCP206	UCCP26CE	S3P
	5-PK	MCCP206	MCCP26CE	
#6 Santoprene® tube & duckbill	2-PK	UCCP6FD	UC6FDCE	S3P
#7 Santoprene® tube	2-PK	UCCP207	UCCP27CE	45, 85, S30, S34, S3F, S3V
	5-PK	MCCP207	MCCP27CE	
#7 Santoprene® tube & duckbill	2-PK	UCCP7FD	UC7FDCE	45, 85, S30, S34, S3F, S3V
#7X Santoprene® tube	2-PK	S4007X-2		S40, S44, S4F, S4V
	5-PK	S4007X-5		
#7G Santoprene® tube	2-PK	S5007G-2		S50
	5-PK	S5007G-5		
#8X Santoprene® tube	2-PK	S4008X-2		S4M
	5-PK	S4008X-5		



Refer to the **FLOW RATE OUTPUTS** chart to match the pump with the correct tube

Includes tube, ferrules 1/4" or 6 mm Europe Econ Pump Line

DESCRIPTION	UM	Insert tube letter for □		WORKS WITH
		PART NUMBER	Europe 6 mm	
A, B, C, F, M Santoprene® tube	2-PK	EC30□-2	EC30□CE-2	White roller assembly
	5-PK	EC30□-5	EC30□CE-5	
C3 FKM tube	2-PK	EC3C3-2	EC3C3CE-2	Blue roller assembly for E10T01, E20T01
	5-PK	EC3C3-5	EC3C3CE-5	Black roller assembly for E20T_C3
C4 silicone tube	2-PK	EC3C4-2	EC3C4CE-2	Blue roller assembly
	5-PK	EC3C4-5	EC3C4CE-5	
G, H Santoprene® tube	2-PK	EC30□-2	EC30□CE-2	Black roller assembly
	5-PK	EC30□-5	EC30□CE-5	

PUMP HEADS



The Innermost QuickPro® pump head is next to the motor or feed rate control in the Classic Series Double Head pump.

25 psi (1.7 bar) max.

DESCRIPTION	UM	Insert tube # for □		WORKS WITH
		PART NUMBER	Europe 6 mm	
QP Pump Head with #1, 2, 3, 4, or 5 Santoprene® tube, ferrules 1/4" or 6 mm Europe	EA	QP25□-1	QP17□-1	45, 85, 100, 170
	2-PK	QP25□-2	QP17□-2	
QP Pump Head with #1, 2, 3, 4, or 5 Versilon® tube, ferrules 1/4" or 6 mm Europe	EA	QP25T□-1	QP17T□-1	45, 85, 100, 170
Innermost QP Pump Head with #1, 2, 3, 4, or 5 Santoprene® tube, ferrules 1/4" or 6 mm Europe	EA	QPA25□-1	QPA17□-1	100, 170
	2-PK	QPA25□-2	QPA17□-2	
S3QP Pump Head with #3, 4, or 5 Santoprene® tube, ferrules 1/4" or 6 mm Europe	EA	S310□-1	S315□-1	S30, S34, S3F, S3V
	2-PK	S310□-2	S315□-2	
S3QP Pump Head with #3, 4, or 5 Versilon® tube, ferrules 1/4" or 6 mm Europe	EA	S320□-1	S325□-1	S30, S34, S3F, S3V
S4QP Pump Head with #5X Santoprene® tube	EA	S4105X-1		S40, S44, S4F, S4V
	2-PK	S4105X-2		
S5 Pump Head with #5G Santoprene® tube	EA	S5105G-1		S50
	2-PK	S5105G-2		

60 psi max.

DESCRIPTION	UM	PART NUMBER	WORKS WITH
S4QP Pump Head with #8X Santoprene® tube	EA	S4108X-1	S4M
	2-PK	S4108X-2	

100 psi (6.9 bar) max.

DESCRIPTION	UM	Insert tube # for □		WORKS WITH
		PART NUMBER	Europe 6 mm	
QP Pump Head with #1 or 2 Santoprene® tube & duckbill, ferrules 1/4" or 6 mm Europe	EA	QP10□-1	QP69□-1	45, 85, 100, 170
QP Pump Head with #7 Santoprene® tube & duckbill, ferrules 1/4" or 6 mm Europe	EA	QP107-1	QP697-1	45, 85
QP Pump Head with #1 or 2 Versilon® tube & Pellethane® duckbill, ferrules 1/4" or 6 mm Europe	EA	QP10T□-1	QP69T□-1	45, 85, 100, 170
Innermost QP Pump Head with #1 or 2 Santoprene® tube & duckbill, ferrules 1/4" or 6 mm Europe	EA	QPA10□-1	QPA69□-1	100, 170
	2-PK	QPA10□-2	QPA69□-2	
Innermost QP Pump Head with #1 or 2 Versilon® tube & duckbill, ferrules 1/4" or 6 mm Europe	EA	QPA10T□-1	QPA69T□-1	100, 170
S3QP Pump Head with #1 or 2 Santoprene® tube & duckbill, ferrules 1/4" or 6 mm Europe	EA	S310□-1	S315□-1	S30, S34, S3F, S3V, S3P
	2-PK	S310□-2	S315□-2	
S3QP Pump Head with #1 or 2 Versilon® tube & Pellethane® duckbill, ferrules 1/4" or 6 mm Europe	EA	S320□-1	S325□-1	S30, S34, S3F, S3V
S3QP Pump Head with #6 Santoprene® tube & duckbill, ferrules 1/4" or 6 mm Europe	EA	S3106-1	S3156-1	S3P
	2-PK	S3106-2	S3156-2	
S3QP Pump Head with #7 Santoprene® tube & duckbill, ferrules 1/4" or 6 mm Europe	EA	S3107-1	S3157-1	S30, S34, S3F, S3V
	2-PK	S3107-2	S3157-2	
S4QP Pump Head with #7X Santoprene® tube	EA	S4107X-1		S40, S44, S4F, S4V
	2-PK	S4107X-2		
S5 Pump Head with #7G Santoprene® tube	EA	S5107G-1		S50
	2-PK	S5107G-2		

PUMP HEAD PARTS



INNERMOST PUMP HEAD PARTS Classic Series Double Head Pumps

DESCRIPTION	UM	PART NUMBER	WORKS WITH
Innermost QP Tube Housing Cover	EA	QP10A-1	100, 170
	2-PK	QP10A-2	
Innermost QP Roller Assembly	EA	QP50A-1	100, 170

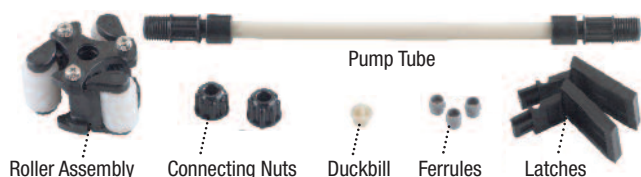
PUMP HEAD PARTS

DESCRIPTION	UM	PART NUMBER	WORKS WITH
QP Tube Housing with plastic latches	EA	QP400-1	45, 85, 100, 170
	2-PK	QP400-2	
S3QP Tube Housing with plastic latches	EA	S3400-1	S30, S3F, S3V, S34, S3P
	2-PK	S3400-2	
Latches, plastic	2-PK	QP401-2	45, 85, 100, 170, S30, S3F, S3V, S34, S3P
S4QP Tube Housing with metal latches	EA	S4400-1	S40, S4F, S4V, S44, S4M
	2-PK	S4400-2	
S5 Tube Housing	EA	S5400-1	S50
	2-PK	S5400-2	
QP Roller Assembly	EA	QP500-1	45, 85, 100, 170
	4-PK	QP500-4	
S3QP Roller Assembly	EA	S3500-1	S30, S3F, S3V, S34, S3P
	4-PK	S3500-4	
S4QP Roller Assembly	EA	S4500-1	S40, S4F, S4V, S44, S4M
	4-PK	S4500-4	
S5 Roller Assembly	EA	S5500-1	S50
	4-PK	S5500-4	
QP Tube Housing Cover with bushing	EA	QP100-1	45, 85, 100, 170
	4-PK	QP100-4	
S3QP Tube Housing Cover with bushing	EA	S3600-1	S30, S3F, S3V, S34, S3P
	4-PK	S3600-4	
S4QP Tube Housing Cover with bushing	EA	S4600-1	S40, S4F, S4V, S44, S4M
	4-PK	S4600-4	
S5 Tube Housing Cover	EA	S5600-1	S50
	4-PK	S5600-4	
S5 Pump Head Support	EA	S5003-1	S50
S5 Transition Sleeve	EA	S5002-1	S50
S5 Thumbscrews	4-PK	S5001-4	S50
S5 Tube Pull	EA	S6063-1	S50

PUMP HEAD PARTS Econ Pump Line

DESCRIPTION	UM	PART NUMBER	WORKS WITH
Roller Assembly, white	EA	EC350	Tubes A, B, C, F, M
Roller Assembly, black	EA	EC351	Tubes G, H
			Tube C3 for E20T_C3
Roller Assembly, blue	EA	EC352	Tube C3 for E10T01, E20T01
			Tube C4
Pump Head Cover	EA	EC355	All Econ pumps

PUMP HEAD SERVICE KITS



Refer to the **FLOW RATE OUTPUTS** chart to match the pump with the correct tube



25 psi (1.7 bar) max. Includes roller assembly, tube, latches, nuts, ferrules 1/4" or 6 mm Europe

DESCRIPTION	UM	Insert tube # for □		WORKS WITH
		PART NUMBER	Europe 6 mm	
QP Pump Head Service Kit with #1, 2, 3, 4, or 5 Santoprene® tube	KIT	QP25□K	QP17□K	45, 85, 100, 170
QP Pump Head Service Kit with #1, 2, 3, 4, or 5 Versilon® tube	KIT	QP25T□K	QP17T□K	45, 85, 100, 170
S3QP Pump Head Service Kit with #3, 4, or 5 Santoprene® tube	KIT	S310□K	S311□K	S30, S34, S3F, S3V
S3QP Pump Head Service Kit with #3, 4, or 5 Versilon® tube	KIT	S320□K	S321□K	S30, S34, S3F, S3V
S4QP Pump Head Service Kit with #5X Santoprene® tube and 3/8" adapters	KIT	S4105XK		S40, S44, S4F, S4V
S5 Pump Head Service Kit with #5G Santoprene® tube and 3/8" adapters	KIT	S5105GK		S50

60 psi (4.1 bar) max. Includes roller assembly, tube, nuts 3/8"

DESCRIPTION	UM	PART NUMBER	WORKS WITH
S4QP Pump Head with #8X Santoprene® tube and 3/8" adapters	KIT	S4108XK	S4M

100 psi (6.9 bar) max. Includes roller assembly, tube, latches, nuts, ferrules 1/4" or 6 mm Europe

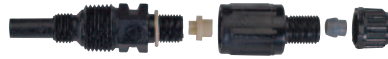
DESCRIPTION	UM	Insert tube # for □		WORKS WITH
		PART NUMBER	Europe 6 mm	
QP Pump Head Service Kit with #1 or 2 Santoprene® tube & duckbill	KIT	QP10□K	QP69□K	45, 85, 100, 170
QP Pump Head Service Kit with #1 or 2 Versilon® tube & Pellethane® duckbill	KIT	QP10T□K	QP69T□K	45, 85, 100, 170
QP Pump Head Service Kit with #7 Santoprene® tube & duckbill	KIT	QP107K	QP697K	45, 85
S3QP Pump Head Service Kit with #1 or 2 Santoprene® tube & duckbill	KIT	S310□K	S311□K	S30, S34, S3F, S3V, S3P
S3QP Pump Head Service Kit with #1 or 2 Versilon® tube & Pellethane® duckbill	KIT	S320□K	S321□K	S30, S34, S3F, S3V
S3QP Pump Head Service Kit with #6 Santoprene® tube & duckbill	KIT	S3106K	S3116K	S3P
S3QP Pump Head Service Kit with #7 Santoprene® tube & duckbill	KIT	S3107K	S3117K	S30, S34, S3F, S3V
S4QP Pump Head Service Kit with #7X Santoprene® tube and 3/8" adapters	KIT	S4107XK		S40, S44, S4F, S4V
S5 Pump Head Service Kit with #7G Santoprene® tube and 3/8" adapters	KIT	S5107GK		S50

NOTE: Refer to Chemical Guide for material compatibility.

INJECTION FITTINGS and CHECK VALVES



1/4" Injection Fitting with Nut & Ferrule



1/4" Duckbill Check Valve



3/8" Ball Check Valve

INJECTION FITTINGS 25 psi (1.7 bar) max.

DESCRIPTION	UM	PART NUMBER	Europe 6 mm	WORKS WITH
1/4" Injection Fitting with nut & ferrule	EA	UCAK300		All pumps excluding S40, S4F, S4V, S44, S4M, S50
	5-PK	MCAK300		
3/8" Injection Fitting with nut	EA	UCAK400		All pumps excluding S40, S4F, S4V, S44, S4M, S50
6 mm Injection Fitting with nut & ferrule	EA		UCAK3CE	All pumps excluding S40, S4F, S4V, S44, S4M, S50

DUCKBILL CHECK VALVE & PARTS 100 psi (6.9 bar) max.

DESCRIPTION	UM	PART NUMBER	Europe 6 mm	WORKS WITH
1/4" Santoprene® Duckbill Check Valve with nut & ferrule	EA	UCDBINJ		All pumps excluding S40, S4F, S4V, S44, S4M, S50
	5-PK	MCDBINJ		
1/4" Pellethane® Duckbill Check Valve with nut & ferrule	EA	UCTYINJ		All pumps excluding S40, S4F, S4V, S44, S4M, S50
	5-PK	MCTYINJ		
1/4" FKM Duckbill Check Valve with nut & ferrule	EA	UCKMINJ		All pumps excluding S40, S4F, S4V, S44, S4M, S50
	5-PK	MCKMINJ		
3/8" Santoprene® Duckbill Check Valve with nut	EA	UCINJ38		All pumps excluding S40, S4F, S4V, S44, S4M, S50
	5-PK	MCINJ38		
3/8" Pellethane® Duckbill Check Valve with nut	EA	UCTYIJ38		All pumps excluding S40, S4F, S4V, S44, S4M, S50
	5-PK	MCTYIJ38		
3/8" FKM Duckbill Check Valve with nut	EA	UCKMI38		All pumps excluding S40, S4F, S4V, S44, S4M, S50
	5-PK	MCKMI38		
6 mm Santoprene® Duckbill Check Valve with nut & ferrule	EA		UCINJCE	All pumps excluding S40, S4F, S4V, S44, S4M, S50
	5-PK		MCINJCE	
6 mm Pellethane® Duckbill Check Valve with nut & ferrule	EA		UCTINJCE	All pumps excluding S40, S4F, S4V, S44, S4M, S50
	5-PK		MCTINJCE	
6 mm FKM Duckbill Check Valve with nut & ferrule	EA		UCKMJCE	All pumps excluding S40, S4F, S4V, S44, S4M, S50
	5-PK		MCKMJCE	
Santoprene® Duckbill	2-PK	UCCVDB0		Duckbill Check Valve
	5-PK	MCCVDB0		
Santoprene® O-Ring	EA	CVIJOR		Duckbill Check Valve or Ball Check Valve
Pellethane® Duckbill	2-PK	UCTYDB2		Duckbill Check Valve
	5-PK	MCTYDB5		
Pellethane® O-Ring	EA	TVIJOR		Duckbill Check Valve
FKM Duckbill & O-Ring	2-PK	UCKMDB0		Duckbill Check Valve
	5-PK	MCKMDB0		

BALL CHECK VALVE & PARTS 100 psi (6.9 bar) max.

DESCRIPTION	UM	PART NUMBER	WORKS WITH
1/4" Ball Check Valve with tantalum spring, ceramic ball, FKM seat & o-ring, nut & ferrule	EA	BC014-1	All pumps excluding S40, S4F, S4V, S44, S4M, S50
1/4" Ball Check Valve with stainless steel spring, ceramic ball, EPDM seat, Santoprene® o-ring, nut & ferrule	EA	BC214-1	All pumps excluding S40, S4F, S4V, S44, S4M, S50
3/8" Ball Check Valve with tantalum spring, ceramic ball, FKM seat & o-ring, nut	EA	BC038-1	All pumps
3/8" Ball Check Valve with stainless steel spring, ceramic ball, EPDM seat, Santoprene® o-ring, nut	EA	BC238-1	All pumps
Tantalum spring, ceramic ball, FKM seat & o-ring	2-PK	BC100-2	Ball Check Valve
Stainless steel spring, ceramic ball, EPDM seat, Santoprene® o-ring	2-PK	BC102-2	Ball Check Valve

NOTE: Refer to Chemical Guide for material compatibility.

MISCELLANEOUS PARTS



Connecting Nut 1/4"



Connecting Nut 3/8" with Adapter



Ferrule 1/4"



Weighted Suction Line Strainer



Flow Indicator

MISCELLANEOUS PARTS

DESCRIPTION	UM	PART NUMBER	Europe 6 mm	WORKS WITH
1/4" or 6 mm Connecting Nuts	10-PK	UCAK100		Any pump using 1/4" or 6 mm connections
	24-PK	MCAK100		
3/8" Connecting Nuts	EA	MANUT00		Any pump using 3/8" connections
3/8" Connecting Nuts with adapter	2-PK	UCADPTR		Any pump using 3/8" connections
	5-PK	MCADPTR		
1/4" or 6 mm Ferrules	10-PK	UCAK200	UCAK2CE	Any pump using 1/4" or 6 mm connections
	24-PK	MCAK200	MCAK2CE	
1/4" or 6 mm Weighted Suction Line Strainer	EA	ST114	ST114	Any pump using 1/4" or 6 mm connections
3/8" Weighted Suction Line Strainer	EA	ST138		Any pump using 3/8" connections
AquaShield 5.5 oz tube	EA	MAGRE55		All pumps
1/4" Flow Indicator with bracket	EA	AK600		Any pump using 1/4" connections
3/8" Flow Indicator with bracket	EA	AK700		Any pump using 3/8" connections excluding S50
6 mm Flow Indicator with bracket	EA		AK800	Any pump using 6 mm connections
Flow Indicator Bracket	EA	AK900		Flow Indicator
Filter Assembly	EA	P2000		Proportional Injection System

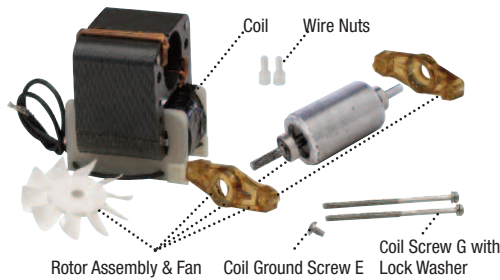
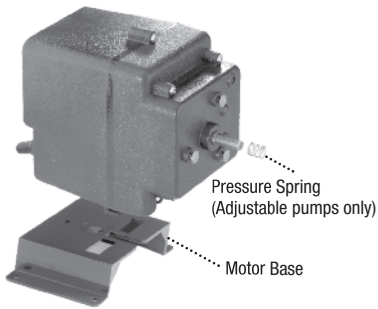
SUCTION/ DISCHARGE TUBING

DESCRIPTION	UM	PART NUMBER	Europe 6 mm	WORKS WITH
1/4" UV black 20' Suction/Discharge Tubing	EA	AK4002B		Any pump using 1/4" or 6 mm connections
1/4" UV black 100' Suction/Discharge Tubing	EA	AK4010B		
1/4" UV black 1000' Suction/Discharge Tubing	EA	AK4100B		
1/4" white 20' Suction/Discharge Tubing	EA	AK4002W		
1/4" white 100' Suction/Discharge Tubing	EA	AK4010W		
1/4" white 1000' Suction/Discharge Tubing	EA	AK4100W		
6 mm white 20' Suction/Discharge Tubing	EA		AK20W6M	Any pump using 6 mm connections
3/8" UV black 20' Suction/Discharge Tubing	EA	MALT02B		Any pump using 3/8" connections
3/8" UV black 100' Suction/Discharge Tubing	EA	MALT10B		
3/8" UV black 1000' Suction/Discharge Tubing	EA	MALTB10		
3/8" white 20' Suction/Discharge Tubing	EA	MALT002		
3/8" white 100' Suction/Discharge Tubing	EA	MALT010		
3/8" white 1000' Suction/Discharge Tubing	EA	MALT100		

WATER METER PARTS

DESCRIPTION	UM	PART NUMBER	WORKS WITH
3/4" Plastic Couplings with gaskets	2-PK	JLP38009P	3/4" Water Meter, plastic
1" Plastic Couplings with gaskets	2-PK	JLP38012P	1" Water Meter, plastic
1/8" Rubber Gaskets	2-PK	JLP38007R	3/4" Water Meter, plastic
1/8" Rubber Gaskets	2-PK	JLP38012R	1" Water Meter, plastic
Single Reed Switch with screw	EA	JLP32RS	1, 4 or 10 PPG Water Meter, plastic or stainless steel
Dual Reed Switch with screw	EA	JLP34RS	2 PPG Water Meter, plastic or stainless steel

MOTORS



Motor Service Kit



Gear Case Service Kit

MOTORS 60Hz

DESCRIPTION	UM	PART NUMBER	WORKS WITH
Motor 120V 60Hz	EA	PM6041D	45MJ, 100J
Motor 220V 60Hz	EA	PM6042D	45MJ, 100J
Motor 120V 60Hz	EA	PM6081D	85MJ, 170J
Motor 220V 60Hz	EA	PM6082D	85MJ, 170J
Motor 120V 60Hz	EA	ME6041D	45MF
Motor 220V 60Hz	EA	ME6042D	45MF
Motor 120V 60Hz	EA	ME6081D	85MF
Motor 220V 60Hz	EA	ME6082D	85MF
Motor 120V 60Hz	EA	DM6041D	100F
Motor 220V 60Hz	EA	DM6042D	100F
Motor 120V 60Hz	EA	DM6081D	170F
Motor 220V 60Hz	EA	DM6082D	170F

MOTORS 50Hz INTERNATIONAL

DESCRIPTION	UM	PART NUMBER	WORKS WITH
Motor 230V 50Hz	EA	PM64230	45MJ, 100J
Motor 250V 50Hz	EA	PM6426D	45MJ, 100J
Motor 230V 50Hz	EA	PM68230	85MJ, 170J
Motor 250V 50Hz	EA	PM6826D	85MJ, 170J
Motor 230V 50Hz	EA	ME64230	45MF
Motor 250V 50Hz	EA	ME6426D	45MF
Motor 230V 50Hz	EA	ME68230	85MF
Motor 250V 50Hz	EA	ME6826D	85MF
Motor 230V 50Hz	EA	DM64230	100F
Motor 250V 50Hz	EA	DM64250	100F
Motor 230V 50Hz	EA	DM68230	170F
Motor 250V 50Hz	EA	DM68250	170F

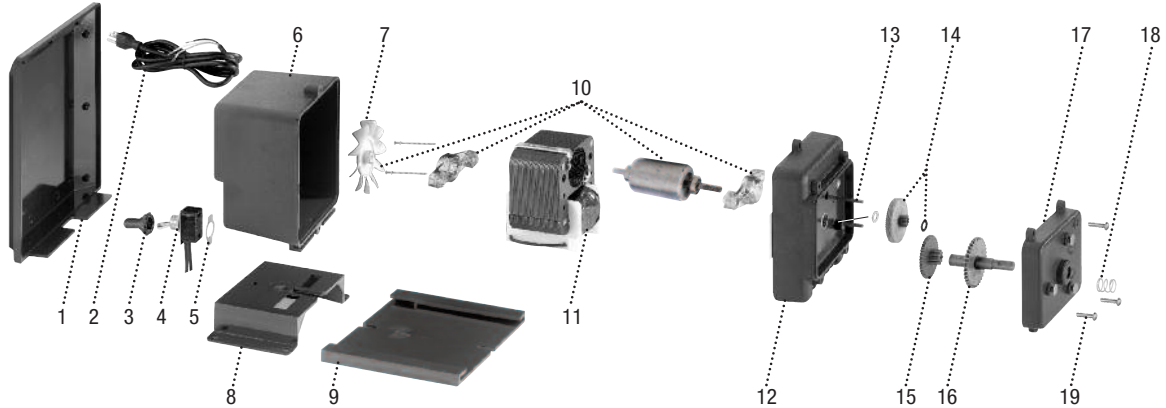
MOTOR SERVICE KITS

DESCRIPTION	UM	PART NUMBER	WORKS WITH
Motor Service Kit 120V 60Hz	KIT	MSK120	45, 85, 100, 170
Motor Service Kit 220V 60Hz	KIT	MSK220	45, 85, 100, 170

GEAR CASE SERVICE KITS

DESCRIPTION	UM	PART NUMBER	WORKS WITH
Gear Case Service Kit	KIT	GSK45A	45MJ, 100J
Gear Case Service Kit	KIT	GSK85A	85MJ, 170J
Gear Case Service Kit	KIT	GSK45F	45MF
Gear Case Service Kit	KIT	GSK85F	85MF

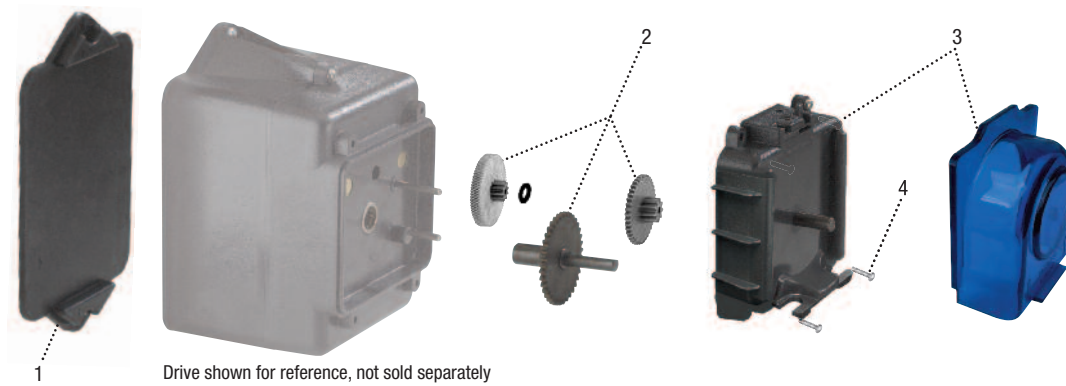
MOTORS



MOTOR PARTS Classic Series

	DESCRIPTION	UM	PART NUMBER	WORKS WITH
1	Rain Roof	EA	MP90000	45, 85, 100, 170
<i>Not shown</i>	Pump Cover	EA	MP90001	45MJ, 85MJ
<i>Not shown</i>	Pump Cover & Rain Roof	EA	MP90002	45MJ, 85MJ
2	Power Cord 120V	EA	MP6B010	45, 85, 100, 170
	Power Cord 220V	EA	MP6B020	45, 85, 100, 170
3	Switch Boot	EA	MP6C000	45, 85, 100, 170
4	Toggle Switch	EA	PM6E000	45, 85, 100, 170
5	On/Off Switch Plate	EA	MP6D000	45, 85, 100, 170
6	Motor Cover with 120V Cord	EA	PM6A0BL	45, 85, 100, 170
	Motor Cover with 220V Cord	EA	PM6A0OL	45, 85, 100, 170
7	Motor Fan	EA	PM6F000	45, 85, 100, 170
8	Motor Base	EA	MP70000	45, 85, 100, 170
9	Mounting Bracket	EA	MP80000	45, 85, 100, 170
10	Rotor Assembly with bearings, brackets, tolerance rings & fan	EA	PMBRPL2	45, 85, 100, 170
11	Coil 120V 60Hz	EA	MP6J115	45, 85, 100, 170
	Coil 220V 60Hz	EA	MP6J226	45, 85, 100, 170
	Coil 230-250V 50Hz <i>INTERNATIONAL</i>	EA	MP6J222	45, 85, 100, 170
12	Gear Case with posts	EA	PM6K0BL	45, 85, 100, 170
13	Gear Post	EA	PM6M000	45, 85, 100, 170
14	Phenolic Gear with spacer 26 rpm	EA	MP6N040	45, 100
	Phenolic Gear with spacer 44 rpm	EA	MP6N080	85, 170
15	Metal Reduction Gear 26 rpm	EA	MP6O040	45, 100
	Metal Reduction Gear 44 rpm	EA	MP6O080	85, 170
16	Motor Shaft & Gear	EA	MP6Q00D	45MJ, 85MJ, 100J, 170J
	Motor Shaft & Gear	EA	ME6Q0LD	45MF, 85MF
	Motor Shaft & Gear	EA	DM6Q0LD	100F, 170F
17	Gear Case Cover	EA	PM6R0BL	45, 85, 100, 170
18	Pressure Spring	EA	MP6T000	45MJ, 85MJ, 100J, 170J
19	Cover Screw B	10-PK	UCCPS0B	All pumps
		24-PK	MCCPS0B	

MOTORS



Drive shown for reference, not sold separately



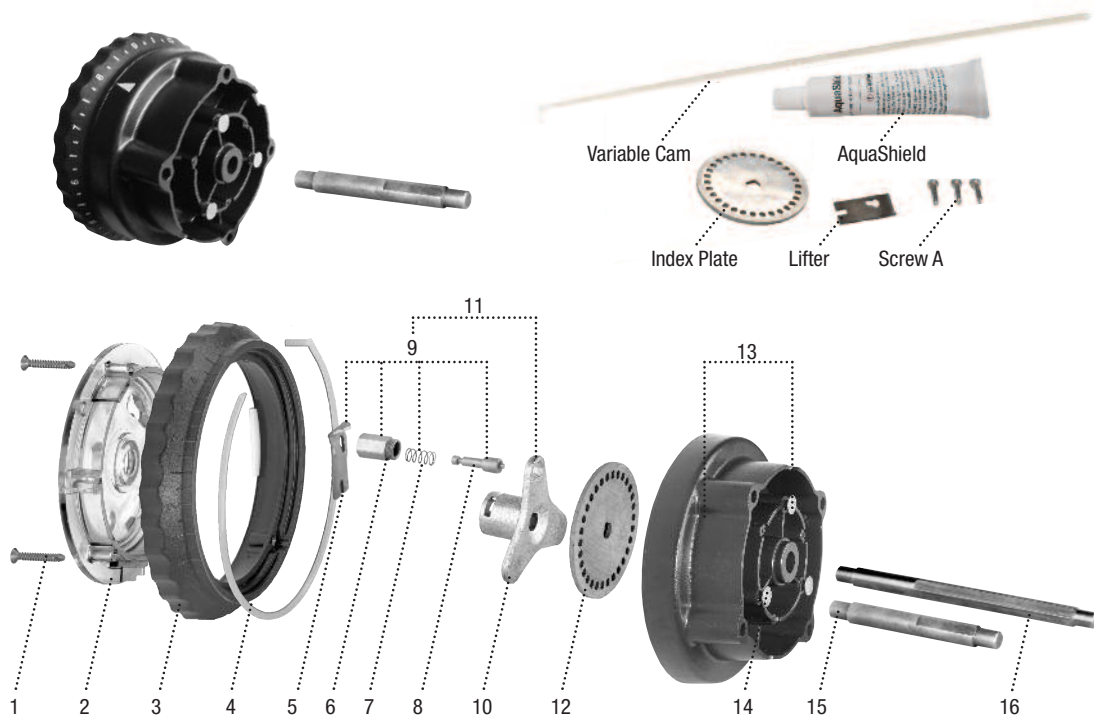
Mounting Kit

Stand

MOTOR PARTS and MOUNTING ACCESSORIES **Econ Pump Line**

DESCRIPTION	UM	PART NUMBER	WORKS WITH
1 Drive Assembly Pad	EA	EC302	All Econ pumps excluding E10T01, E20T01
2 Gear Kit with spacers, screws & AquaShield	EA	EC310	E10P, E10R, E10L, E10H, E10FX, E10VX, E10S, E10T, E10T01
	EA	EC320	E20P, E20R, E20M, E20FX, E20VX, E20T, E20T01, E20T_C3
3 Gear Case Front Cover with pump head cover	EA	EC330	All Econ pumps
4 Cover Screw B	10-PK	UCCPS0B	All pumps
Mounting Kit for wall mount or Stenner tank	KIT	EC303	All Econ pumps excluding E10T01, E20T01
Pump Stand for wall mount or shelf	KIT	EC304	All Econ pumps excluding E10T01, E20T01

FEED RATE CONTROL



FEED RATE CONTROL WITH SHAFT Classic Series Adjustable Pumps

DESCRIPTION	UM	PART NUMBER	WORKS WITH
Feed Rate Control with shaft	EA	FC5040D	45MJ, 85MJ
Feed Rate Control with shaft	EA	DM5040D	100J, 170J

FEED RATE CONTROL SERVICE KIT AND PARTS Classic Series Adjustable Pumps

DESCRIPTION	UM	PART NUMBER	WORKS WITH
Feed Rate Control Service Kit	KIT	FSK100	45MJ, 85MJ, 100J, 170J
1 FRC Screw A	EA	FCS000A	45MJ, 85MJ, 100J, 170J
2 Feed Rate Mounting Plate	EA	FC5N000	45MJ, 85MJ, 100J, 170J
3 Dial Ring	EA	FC5M040	45MJ, 85MJ, 100J, 170J
4 Variable Cam	2-PK	UCFC5H0	45MJ, 85MJ, 100J, 170J
	5-PK	MCFC5H0	
5 Index Pin Lifter	2-PK	UCFC5L1	45MJ, 85MJ, 100J, 170J
	5-PK	MCFC5L1	
6 Index Pin Holder	EA	FC5L003	45MJ, 85MJ, 100J, 170J
7 Index Pin Spring	EA	FC5L005	45MJ, 85MJ, 100J, 170J
8 Index Pin	EA	FC5L002	45MJ, 85MJ, 100J, 170J
9 Index Pin Assembly includes lifter, holder, spring & pin	EA	UCFC5AY	45MJ, 85MJ, 100J, 170J
	2-PK	MCFC5AY	
10 Index Spider	EA	FC5K00D	45MJ, 85MJ, 100J, 170J
11 Index Spider Assembly includes lifter, holder, spring, pin & spider	EA	FC5LASY	45MJ, 85MJ, 100J, 170J
12 Index Plate	EA	UCFC5ID	45MJ, 85MJ, 100J, 170J
	5-PK	MCFC5ID	
13 Feed Rate Housing with Roller Clutch, Seal & Rivets	EA	FC5D00S	45MJ, 85MJ, 100J, 170J
14 Mounting Rivet C	EA	FCS000C	45MJ, 85MJ, 100J, 170J
15 Main Shaft	EA	UCFC5AD	45MJ, 85MJ
	2-PK	MCFC5AD	
16 Main Shaft	EA	DM5A00D	100J, 170J

CHEMICAL COMPATIBILITY GUIDE

Ratings Key – Chemical Effect

- A** Fluid has minor or no effects
- B** Fluid has minor to moderate effects
- C** Fluid has severe effects
- No data available



CAUTION

The information is provided ONLY as a guide to assist in determining chemical compatibility for wetted components. Testing under the specific conditions of the application is recommended. Stenner Pump Company assumes no responsibility for its accuracy. Outside factors including but not limited to temperature, pressure, mechanical stress, and solution concentration can affect material compatibility in a particular application. Stenner makes no warranty, expressed or implied, as to the accuracy of this guide or any materials' suitability for fitness or purpose for any application. User assumes all risk and liability for use of this guide.

Chemical / Solution	PP Santoprene® EPDM	Versilon®	PVC	LDPE	FKM	Silicone	Tantalum	Stainless Steel
Acetic Acid 20%	A	B	B	A	B	A	A	A
Acetic Acid 30%	B	C	C	A	B	A	A	B
Acetic Acid, Glacial	C	C	C	C	C	•	A	A
Acetic Anhydride	B	C	C	C	C	C	•	A
Aliphatic Hydrocarbons	B	B	B	B	•	•	•	•
Aluminum Chloride	A	A	A	B	A	B	A	B
Aluminum Sulfate	A	A	A	A	A	A	A	B
Alums	A	A	A	A	A	A	•	A
Ammonium Acetate	B	B	A	A	A	•	•	A
Ammonium Carbonate	A	A	A	A	A	C	•	B
Ammonium Chloride	A	B	A	B	A	C	A	B
Ammonium Hydroxide	A	B	A	A	B	A	B	A
Ammonium Nitrate	A	A	A	A	B	C	A	A
Ammonium Phosphate	A	A	A	A	A	A	•	C
Ammonium Sulfate	A	A	A	A	B	A	A	B
Amyl Acetate	A	C	C	C	C	C	•	A
Aniline	B	C	C	C	C	C	A	B
Antimony Salts	A	A	A	B	•	•	•	•
Arsenic Salts	A	A	A	B	•	•	•	•
Barium Hydroxide	A	A	A	B	A	•	B	B
Barium Salts	A	•	A	B	•	A	•	•
Beer	A	A	A	A	A	•	A	A
Benzene	C	C	C	C	B	•	•	B
Benzoic Acid	A	C	A	A	A	•	A	B
Bleach 5.25%	A	A	A	A	A	•	•	•
Boric Acid	A	A	A	A	A	A	A	A
Bromine	A	B	B	B	A	C	A	C
Butyl Acetate	A	C	C	C	C	C	•	A
Butyric Acid	A	C	B	C	B	C	A	B
Calcium Chloride	A	A	B	A	A	•	A	B
Calcium Hydroxide	A	C	A	A	A	•	B	B
Calcium Hypochlorite 5%	A	B	A	A	A	•	A	B
Calcium Salts	A	A	A	A	•	B	•	•
Carbon Disulfide	C	C	C	C	A	•	•	B
Carbon Tetrachloride	C	C	C	C	A	C	•	B
Castor Oil	B	A	A	•	A	•	•	A
Chlorine	<i>see Sodium Hypochlorite</i>							

Chemical / Solution	PP Santoprene® EPDM	Versilon®	PVC	LDPE	FKM	Silicone	Tantalum	Stainless Steel
Chloroacetic Acid	A	C	B	C	C	•	•	A
Chloroform	C	C	C	C	A	C	•	A
Chlorosulfonic Acid	B	C	C	C	C	C	•	B
Chromic Acid < 50%	B	C	B	A	A	C	A	B
Chromium Salts	A	•	A	B	•	•	•	•
Citric Acid	B	B	B	C	A	•	A	A
Copper Chloride	A	A	A	A	A	•	A	C
Copper Sulfate	A	A	A	A	A	•	A	B
Cottonseed Oil	B	A	B	A	A	•	•	A
d-Limonene	C	B	B	B	A	C	•	•
Ethyl Acetate	A	C	C	C	C	B	•	B
Ethyl Alcohol	B	C	C	B	B	•	A	•
Ethyl Chloride	C	C	C	C	A	C	•	A
Ethylene Dichloride	C	C	C	C	A	C	•	B
Ethylene Glycol	A	A	A	A	A	A	•	B
Ethylene Oxide	B	A	C	C	C	C	•	B
Eucalyptus Oil	C	B	C	C	•	•	•	•
Fatty Acids	C	B	A	A	A	C	•	A
Ferric Chloride	A	A	A	A	A	B	A	C
Ferric Sulfate	A	A	A	A	A	B	•	B
Ferrous Chloride	A	A	A	A	A	C	•	C
Ferrous Sulfate	A	A	A	A	A	C	•	B
Fluoboric Acid	A	C	A	C	B	A	•	•
Fluosilicic Acid	A	A	A	A	A	C	•	B
Formaldehyde < 40%	A	B	A	C	C	B	•	A
Formic Acid	A	C	B	C	C	C	A	A
Glucose	A	A	A	A	A	A	•	A
Glycerin	A	A	A	A	A	A	•	A
Hydrochloric Acid 20%	A	C	A	A	A	C	A	C
Hydrochloric Acid 37%	A	C	A	A	A	C	A	C
Hydrocyanic Acid	A	B	A	A	A	C	A	A
Hydrofluoric Acid < 48%	A	C	B	A	A	C	C	C
Hydrofluoric Acid 48-75%	A	C	C	C	A	C	C	C
Hydrofluoric Acid, anhydrous	B	C	C	C	C	•	C	C
Hydrogen Peroxide < 50%	A	B	A	B	A	A	A	A
Hydrogen Sulfide	A	A	B	A	C	•	•	A
Iodine	A	A	C	B	A	C	A	C

CHEMICAL COMPATIBILITY GUIDE

Chemical / Solution	PP Santoprene® EPDM	Versilon®	PVC	LDPE	FKM	Silicone	Tantalum	Stainless Steel
Lactic Acid	A	B	B	A	A	A	A	B
Lead Acetate	B	A	A	A	C	C	•	B
Linseed Oil	B	A	A	A	A	A	•	A
Limonene	C	B	B	B	A	C	•	•
Lubricating Oils	C	A	B	C	A	•	•	A
Magnesium Chloride	A	A	B	A	A	A	A	C
Magnesium Hydroxide	A	A	A	A	A	•	A	A
Magnesium Sulfate	A	A	A	A	A	A	A	B
Malic Acid	A	B	A	A	A	B	•	A
Manganese Salts	A	A	A	A	•	B	•	•
Mercuric Chloride	A	A	A	A	A	•	•	C
Methylene Chloride	C	C	C	C	B	•	A	B
Mineral Oil	B	A	B	B	A	•	•	•
Mineral Spirits	C	A	B	B	A	•	•	A
Muriatic Acid, 20° Baume	A	C	A	A	A	•	•	•
Nitric Acid < 10%	A	C	A	B	A	B	A	A
Nitric Acid 10-30%	B	C	A	C	A	C	A	A
Nitric Acid 30-60%	C	C	B	C	A	C	A	A
Nitric Acid 70%	C	C	B	C	A	C	A	A
Nitric Acid, red fuming	C	C	C	C	C	C	•	•
Nitrous Acid	A	B	•	•	B	•	•	B
Oleic Acid	A	B	C	C	B	C	•	A
Oleum 20-25%	C	C	C	C	•	•	•	B
Oxalic Acid	A	C	B	A	A	C	A	A
Palmitic Acid	A	B	B	A	A	C	•	A
Petroleum Distillates	C	B	B	C	•	•	A	A
Peracetic Acid 5%	B	B	B	A	A	A	•	•
Peracetic Acid 15%	B	B	B	A	A	B	•	•
Phenol	B	C	C	B	A	C	•	B
Phosphoric Acid	A	C	A	A	A	C	A	C
Phthalic Acid	A	C	A	A	A	B	•	A
Pickling Solutions	A	C	•	•	B	•	•	•
Plating Solutions	A	C	•	•	A	C	•	•
Polyphosphate	A	A	A	A	•	•	•	•
Potassium Carbonate	A	A	A	A	A	•	•	B
Potassium Chlorate	A	A	A	A	A	B	•	B
Potassium Hydroxide	A	A	A	A	C	C	B	A
Potassium Dichromate	A	A	A	A	A	•	•	B
Potassium Iodide	A	A	B	B	A	•	•	A
Potassium Permanganate	A	A	A	A	A	•	•	B
Sea Water	A	A	A	A	A	•	A	C

Chemical / Solution	PP Santoprene® EPDM	Versilon®	PVC	LDPE	FKM	Silicone	Tantalum	Stainless Steel
Silicone Oil	C	A	A	B	A	C	•	A
Silver Nitrate	A	A	A	A	A	A	•	B
Soap Solutions	A	A	A	C	A	A	•	A
Sodium	A	A	A	A	•	•	•	•
Sodium Bisulfate	A	A	A	A	A	•	•	C
Sodium Bisulfite	A	A	A	A	A	A	•	B
Sodium Borate	A	A	A	A	A	A	•	B
Sodium Carbonate	A	A	A	A	A	A	•	A
Sodium Chlorate	A	A	A	A	A	C	•	B
Sodium Chloride	A	A	A	A	A	A	A	B
Sodium Dichromate 20%	A	•	B	•	A	•	•	•
Sodium Hydroxide < 20%	A	B	A	B	C	A	B	B
Sodium Hydroxide 20-46.5%	A	C	A	B	C	•	C	B
Sodium Hypochlorite 5%	A*	B	A	A	A	B	A	C
Sodium Hypochlorite 6-15%	A*	B	A	A	A	B	A	C
Sodium Nitrate	A	A	A	A	A	C	A	B
Sodium Silicate	A	A	A	A	A	A	•	B
Sodium Sulfide	A	A	A	A	A	A	•	C
Sodium Sulfite	A	A	A	A	A	A	•	A
Solvents	C	B	B	B	•	•	•	•
Soybean Oil	B	A	A	A	A	•	•	A
Stannous Chloride 15%	A	A	A	B	A	•	•	A
Stearic Acid	A	B	B	B	A	B	•	A
Sulfur Dioxide liquid	A	C	C	C	B	•	•	A
Sulfur Trioxide	B	C	A	C	A	•	•	C
Sulfuric Acid < 40%	B	B	B	B	A	C	A	C
Sulfuric Acid > 40%	C	C	C	C	A	C	A	C
Sulfurous Acid	A	A	A	B	C	C	•	B
Tannic Acid 10%	A	B	A	B	A	B	•	A
Tanning Liquors	A	A	A	A	A	•	•	A
Tartaric Acid	A	A	A	A	A	A	•	C
Titanium Salts	A	A	A	B	•	•	•	•
Triethanolamine	A	C	C	C	C	•	•	•
Trisodium Phosphate	A	A	A	A	A	•	•	B
Tung Oil	B	B	C	C	A	•	•	•
Turpentine	B	B	C	C	A	C	•	A
Urea	B	A	B	A	A	B	•	B
Water & Brine	A	A	A	A	A	B	•	•
Zinc Chloride	A	A	B	A	A	A	A	B
Zinc Salts	A	A	A	A	•	•	•	•

NOTE: FKM tested to ANSI/NSF 61 with water only.

* Products tested and certified by IAPMO according to ANSI/NSF 61 for contact with Sodium Hypochlorite and Water only and ANSI/NSF 372.

	PAGE		PAGE		PAGE		PAGE		PAGE		
AK20W6M	67	EC51C	61	MCFC5H0	71	PCM	57	QPA10-2	63	S5600-1	64
AK4002B	67	FC5040D	71	MCFC5ID	71	PM6041D	68	QPA17-1	63	S5600-4	64
AK4002W	67	FC5D00S	71	MCFC5L1	71	PM6042D	68	QPA17-2	63	S6063-1	64
AK4010B	67	FC5K00D	71	MCINJ38	66	PM6081D	68	QPA25-1	63	SSMRS20-PPG	59
AK4010W	67	FC5LASV	71	MCINJCE	66	PM6082D	68	QPA25-2	63	ST114	67
AK4100B	67	FC5L002	71	MCKMDB0	66	PM64230	68	QPA69-1	63	ST138	67
AK4100W	67	FC5L003	71	MCKMINJ	66	PM6426D	68	QPA69-2	63	STS7GC	52
AK600	67	FC5L005	71	MCKMI38	66	PM68230	68	S310-K	65	STS7NC	52
AK700	67	FC5M040	71	MCKMJCE	66	PM6826D	68	S310-1	63	STS15GC	52
AK800	67	FC5N000	71	MCTINJCE	66	PM6A0BL	69	S310-2	63	STS15NC	52
AK900	67	FCS000A	71	MCTY-CE	62	PM6A00L	69	S311-K	65	STS30GC	52
BC014-1	66	FCS000C	71	MCTYDB5	66	PM6E000	69	S315-1	63	STS30NC	52
BC038-1	66	FSK100	71	MCTYGO	62	PM6F000	69	S315-2	63	TVIJOR	66
BC100-2	66	GSK45A	68	MCTYIJ38	66	PM6K0BL	69	S320-K	65	UC-FDCE	62
BC102-2	66	GSK45F	68	MCTYINJ	66	PM6M000	69	S320-1	63	UCADPTR	67
BC214-1	66	GSK85F	68	ME6041D	68	PM6R0BL	69	S321-K	65	UCAK100	67
BC238-1	66	GSK85A	68	ME6042D	68	PMBRPL2	69	S325-1	63	UCAK200	67
CVIJOR	66	JLP0750-PPG	58	ME6081D	68	QP10-1	63	S3400-1	64	UCAK300	66
DM5040D	71	JLP1000-PPG	58	ME6082D	68	QP10-K	65	S3400-2	64	UCAK400	66
DM5A00D	71	JLP1500-PPG	58	ME64230	68	QP100-1	64	S3500-1	64	UCAK3CE	66
DM6041D	68	JLP38009P	67	ME6426D	68	QP100-4	64	S3500-4	64	UCCP-FD	62
DM6042D	68	JLP38012P	67	ME68230	68	QP10A-1	64	S3600-1	64	UCCP20	62
DM6081D	68	JLP38007R	67	ME6826D	68	QP10A-2	64	S3600-4	64	UCCP2-CE	62
DM6082D	68	JLP38012R	67	ME6Q0LD	69	QP10T-1	63	S400-X-2	62	UCCPSOB	69,70
DM64230	68	JLP32RS	67	MP6B010	69	QP10T-K	65	S400-X-5	62	UCCVDB0	66
DM64250	68	JLP34RS	67	MP6B020	69	QP17-1	63	S410-X-1	63	UCDBINJ	66
DM68230	68	MAGRE55	67	MP6C000	69	QP17-2	63	S410-X-2	63	UCFC5AD	71
DM68250	68	MALTO02	67	MP6D000	69	QP17-K	65	S410-XK	65	UCFC5AY	71
DM6Q0LD	69	MALTO10	67	MP6J115	69	QP17T-1	63	S4400-1	64	UCFC5H0	71
EC302	70	MALTO2B	67	MP6J222	69	QP17T-K	65	S4400-2	64	UCFC5ID	71
EC303	70	MALT100	67	MP6J223	69	QP25-1	63	S4500-1	64	UCFC5L1	71
EC304	70	MALT10B	67	MP6J226	69	QP25-2	63	S4500-4	64	UCINJCE	66
EC3-2	62	MALTB10	67	MP6N040	69	QP25-K	65	S4600-1	64	UCKMDB0	66
EC3-5	62	MANUT00	67	MP6N080	69	QP25T-1	63	S4600-4	64	UCKMINJ	66
EC3-CE-2	62	MCADPTR	67	MP60040	69	QP25T-K	65	S500-G-2	62	UCKMJCE	66
EC3-CE-5	62	MCAK100	67	MP60080	69	QP400-1	64	S500-G-5	62	UCKMI38	66
EC310	70	MCAK200	67	MP6Q00D	69	QP400-2	64	S5001-4	64	UCINJ38	66
EC320	70	MCAK2CE	67	MP6T000	69	QP401-2	64	S5002-1	64	UCTINJCE	66
EC330	70	MCAK300	66	MP70000	69	QP500-1	64	S5003-1	64	UCTY-CE	62
EC350	64	MCCP2-CE	62	MP80000	69	QP500-4	64	S510-G-1	63	UCTY-DCE	62
EC351	64	MCCP20	62	MP90000	69	QP50A-1	64	S510-G-2	63	UCTY-FD	62
EC352	64	MCCPSOB	69	MP90001	69	QP69-1	63	S510-GK	65	UCTYDB2	66
EC355	64	MCCVDB0	66	MP90002	69	QP69-K	65	S5400-1	64	UCTYGO	62
EC500	61	MCDBINJ	66	MSK120	68	QP69T-1	63	S5400-2	64	UCTYIJ38	66
EC50C	61	MCFC5AD	71	MSK220	68	QP69T-K	65	S5500-1	64	UCTYINJ	66
EC501	61	MCFC5AY	71	P2000	67	QPA10-1	63	S5500-4	64		

POLICIES

Limited Warranty

Stenner Pump Company will for a period of one (1) or two (2) years from the date of purchase (proof of purchase required) repair or replace, at our option, all defective parts. Stenner is not responsible for any removal or installation costs. Pump tube assemblies and rubber components are considered perishable and are not covered in this warranty. Pump tube will be replaced each time a pump is in for service, unless otherwise specified. The cost of the pump tube replacement will be the responsibility of the customer. Stenner will incur shipping costs for warranty products shipped from our factory. Any tampering with major components, chemical damage, faulty wiring, weather conditions, water damage, power surges, or products not used with reasonable care and maintained in accordance with the instructions will void the warranty. Stenner limits its liability solely to the cost of the original product. We make no other warranty expressed or implied.

Returns

Stenner offers a 30-day return policy on factory direct purchases. Except as otherwise provided, no merchandise will be accepted for return after 30 days from purchase. To return merchandise at any time, call Stenner at 800.683.2378 for a Return Merchandise Authorization (RMA) number. A 15% restocking fee will be applied. Include a copy of your invoice or packing slip with your return.

Problem with Shipment

Check orders immediately upon arrival. Any claim of damage, shortage or order discrepancy must be noted on the delivery receipt and reported to Stenner at 800.683.2378 within seven (7) days of receipt.

Pump Service & Repairs

Before returning a pump for warranty or repair, remove chemical from pump tube by running water through the tube, and then run the pump dry. Following expiration of the warranty period, Stenner Pump Company will clean and overhaul any Stenner metering pump for a minimum labor charge plus necessary replacement parts and shipping. All metering pumps received for overhaul will be restored to their original condition. The customer will be charged for missing parts unless specific instructions are given. To return merchandise for repair, call Stenner at 800.683.2378 or 904.641.1666 for a Return Merchandise Authorization (RMA) number.

Disclaimer

This information is not intended for specific application purposes. Stenner Pump Company reserves the right to make changes to prices, products, and specifications at any time without prior notice.

Trademarks

QuickPro® is a registered trademark of the Stenner Pump Company.

Santoprene® is a registered trademark of Exxon Mobil Corporation.

Versilon® is a registered trademark of Saint-Gobain Performance Plastics.

Pellethane® is a registered trademark of Lubrizol Advanced Materials, Inc.

Hastelloy® is a registered trademark of Haynes International, Inc.



STENNER PUMP COMPANY

3174 DeSalvo Road
Jacksonville, Florida 32246 USA

Phone: 904.641.1666
US Toll Free: 800.683.2378
Fax: 904.642.1012

sales@stenner.com
www.stenner.com

Hours (EST)
Mon.–Fri. 7:00 am–8:00 pm

 Assembled in the USA
with US and international components

© Stenner Pump Company
All Rights Reserved